

AC-155LP SPACE HEATER



JOHN DEERE

**OPERATOR'S
MANUAL**



Introduction

THANK YOU for purchasing a John Deere product.

READ THIS MANUAL carefully to learn how to operate and service your machine correctly. Failure to do so could result in personal injury or equipment damage. This manual and safety signs on your machine may also be available in other languages. (See your John Deere dealer to order.)

THIS MANUAL SHOULD BE CONSIDERED a permanent part of your machine and should remain with the machine when you sell it.

MEASUREMENTS in this manual are given in both metric and customary U.S. unit equivalents. Use only correct replacement parts and fasteners. Metric and inch fasteners may require a specific metric or inch wrench.

The SERIAL NUMBER is located in the Specification or Identification Numbers section. Accurately record all the numbers to help in tracing the machine should it be stolen. Your dealer also needs these numbers when you order parts. File the identification numbers in a secure place off the machine.

WARRANTY is provided from your John Deere dealer for customers who operate and maintain their equipment as described in this manual. The warranty is explained on the warranty certificate shown in this manual.

This warranty provides you the assurance that your dealer will back products where defects appear within the warranty period. Should the equipment be abused, or modified to change its performance beyond the original factory specifications, the warranty will become void.



GENERAL HAZARD WARNING:
FAILURE TO COMPLY WITH THE PRECAUTIONS AND INSTRUCTIONS PROVIDED WITH THIS HEATER, CAN RESULT IN DEATH, SERIOUS BODILY INJURY AND PROPERTY LOSS OR DAMAGE FROM HAZARDS OF FIRE, EXPOSITION, BURN, ASPHYXIATION, AND/OR CARBON MONOXIDE POISONING.

ONLY PERSONS WHO CAN UNDERSTAND AND FOLLOW THE INSTRUCTIONS SHOULD USE OR SERVICE THIS HEATER.
IF YOU NEED ASSISTANCE OR HEATER INFORMATION SUCH AS AN INSTRUCTIONS MANUAL, LABELS, ETC. CONTACT THE MANUFACTURER.



WARNING: FIRE, BURN, INHALATION AND EXPLOSION HAZARD. KEEP SOLID COMBUSTIBLES, SUCH AS BUILDING MATERIALS, PAPER OR CARDBOARD, A SAFE DISTANCE AWAY FROM THE HEATER AS RECOMMENDED BY THE INSTRUCTIONS NEVER USE THE HEATER IN SPACES WHICH DO OR MAY CONTAIN VOLATILE OR AIRBORNE COMBUSTIBLES OR PRODUCTS SUCH AS GASOLINE, SOLVENTS, PAINT THINNER, DUST PARTICLES OR UNKNOWN CHEMICALS.



WARNING: NOT FOR HOME OR RECREATIONAL VEHICLE USE.

The heater is designed for use as a construction heater in accordance with ANSI Z83.7/CGA 2.14. Other standards govern the use of fuel gases and heating products for specific uses. Your local authority can advise you about these. The primary purpose of construction heaters is to provide temporary heating of buildings under construction, alteration or repair. Properly used, the heater provides safe economical heating. Products of combustion are vented into the area being heated.

We cannot foresee every use which may be made of our heaters. **Check with your local fire safety authority if you have questions about heater use.**

Other standards govern the use of fuel gases and heat producing products for specific uses. Your local authorities can advise you about these.

Propane gas is odorless. An odor-making agent is added to propane gas. The odor helps you detect a propane gas leak. However, the odor added to propane gas can fade. Propane gas may be present even though no odor exists.

Install and use heater with care. Follow all local ordinances and codes. In the absence of local ordinances and codes, refer to the *Standard for Storage and Handling of Liquefied Petroleum Gas, ANSI/NFPA 58* and the *Propane Installation Code, CAN/CGA B149.2*. This instructs on the safe storage and handling of propane gases.



WARNING

This product contains and/or generates chemicals known to the State of California to cause cancer or birth defects, or other reproductive harm.

Contents

| | Page |
|------------------------------|-----------|
| Safety | 4 |
| Controls | 9 |
| Preparation | 10 |
| Installation | 12 |
| Operation | 12 |
| Troubleshooting | 14 |
| Service | 16 |
| Storage | 17 |
| Specifications | 18 |
| Wire Diagram..... | 19 |
| Warranty | 20 |
| Notes | 21 |

All information, illustrations and specifications in this manual are based on the latest information available at the time of publication. The right is reserved to make changes at any time without notice.

Safety

RECOGNIZE SAFETY INFORMATION

This is the safety alert symbol. When you see this symbol on your machine or in this manual, be alert to the potential for personal injury.

Follow recommended precautions and safe operating practices.



UNDERSTAND SIGNAL WORDS

A signal word--DANGER, WARNING or CAUTION--is used with the safety-alert symbol. DANGER identifies the most serious hazards.

DANGER or WARNING safety signs are located near specific hazards. General precautions are listed on CAUTION safety signs. CAUTION also calls attention to safety messages in this manual.

 **DANGER**

 **WARNING**

 **CAUTION**

FOLLOW SAFETY INSTRUCTIONS

Carefully read all safety messages in this manual and on your machine safety signs. Keep safety signs in good condition. Replace missing or damaged safety signs. Be sure new equipment components and repair parts include the current safety signs. Replacement safety signs are available from your John Deere dealer.

Read this owner's manual carefully and completely before trying to assemble, operate, or service this space heater. Improper use of this space heater can cause serious injury or death from burns, fire, explosion, electrical shock, and carbon monoxide poisoning.

Make certain you read and understand all warnings. Keep this manual for reference. It is your guide to safe and proper operation of this space heater.

If you do not understand any part of this manual and need assistance, contact your John Deere dealer.





CARBON MONOXIDE - POISONOUS GAS



DANGER: CARBON MONOXIDE POISONING MAY LEAD TO DEATH!

Space heaters exhaust contains carbon monoxide - a poisonous gas that can kill you. You CAN NOT smell or see this gas.

Carbon Monoxide Poisoning: Early signs of carbon monoxide poisoning resemble the flu, with headaches, dizziness, and/or nausea. If you have these signs, the space heater may not be working properly. Get fresh air at once! Have space heater serviced. Some people are more affected by carbon monoxide than others. These include pregnant women, persons with heart or lung disease or anemia, those under the influence of alcohol, and those at high altitudes.

Never use a space heater in enclosed or partially-enclosed spaces without proper ventilation. Use only in well-vented areas. Before using space heater, provide at least a three-square-foot (2800 square cm) opening of fresh, outside air for each 100,000 Btu / Hr (30 kw) of rating. Space heaters can produce high levels of carbon monoxide very quickly. When you use a space heater, remember that you cannot smell or see carbon monoxide. Even if you can't smell exhaust fumes, you may still be exposed to carbon monoxide.

If you start to feel sick, dizzy, or weak while using a space heater, get to fresh air **RIGHT AWAY**. **DO NOT DELAY**. The carbon monoxide from space heaters can rapidly lead to full incapacitation and death.

If you experience serious symptoms, get medical attention immediately. Inform medical staff that carbon monoxide poisoning is suspected. If you experienced symptoms while indoors, have someone call the fire department to determine when it is safe to re-enter the building.

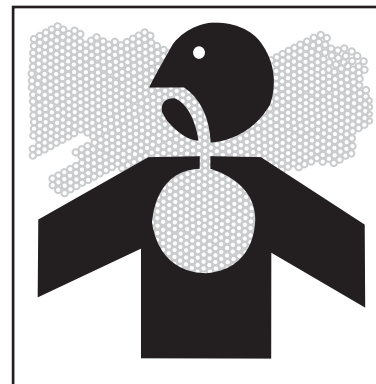
NEVER operate the space heater in an explosive atmosphere, near combustible materials or where ventilation is not sufficient to carry away exhaust fumes. **Exhaust fumes can cause serious injury or death.**

NEVER run space heaters inside homes, garages, sheds, or other semi-enclosed spaces without proper ventilation. These spaces can trap poisonous gases **EVEN IF** you run a fan or open doors and windows. Use only in well-vented areas. Before using space heater, provide at least a three-square-foot (2800 square cm) opening of fresh, outside air for each 100,000 Btu / Hr (30 kw) of rating.

If you start to feel sick, dizzy, or weak while using the space heater, shut it off and get fresh air **RIGHT AWAY**. See a doctor. You may have carbon monoxide poisoning.

Install battery-operated carbon monoxide alarms or plug-in carbon monoxide alarms with battery back-up in your home, according to the manufacturer's installation instructions. The carbon monoxide alarms should be certified to the requirements of the latest safety standards for carbon monoxide alarms. (UL 2034, IAS 6-96, or CSA 6.19.01).

Test your carbon monoxide alarm frequently and replace dead batteries.





ELECTRICAL HAZARDS

⚠ DANGER- IMPROPER CONNECTION OF THE EQUIPMENT- GROUNDING CONDUCTOR CAN RESULT IN A RISK OF ELECTROCUTION. CHECK WITH A QUALIFIED ELECTRICIAN OR SERVICE PERSON IF YOU ARE IN DOUBT AS TO WHETHER THE UNIT IS PROPERLY GROUNDED.

Use only the electrical voltage and frequency specified on model plate. The electrical connections and grounding of the heater shall follow the *National Electric Code, ANSI/NFPA 70* or the *Canadian Electrical Code, Part 1*.

Space heater must be grounded. Use only a properly grounded three-wire extension cord. Plug into grounded outlet only. If it should malfunction or breakdown, grounding provides a path of least resistance for electric current to reduce the risk of electric shock.

The space heater is a potential source of electrical shock if not kept dry. Keep the space heater dry and do not use in rain or wet conditions. To protect from moisture, operate it on a dry surface under an open, canopy-like structure. Dry your hands if wet before touching the space heater.

Check that the entire cord is free of cuts or tears and that the plug has all three prongs, especially a grounding pin.



IMPORTANT SAFETY INSTRUCTIONS

Make certain you read and understand all warnings. Keep this manual for reference. It is your guide to safe and proper operation of this heater.

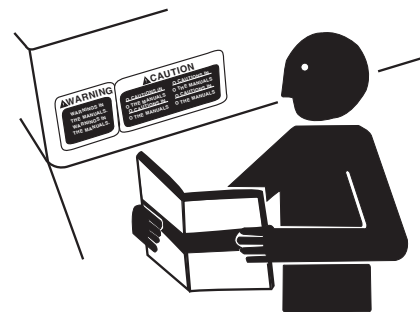
1. Use only in areas free of flammable vapors or high dust content.
2. Minimum heater clearances from combustible materials: Outlet: 8 Ft. (2.44 m), Sides: 2 Ft. (60.96 cm), Top: 6 Ft. (1.83 m), Rear: 2 Ft. (60.96 cm)
3. Locate space heater on a stable and level surface while hot or operating or a fire may occur.
4. Use only in well-vented areas. Before using space heater, provide at least a three-square-foot (2800 square cm) opening of fresh, outside air for each 100,000 Btu / Hr (30 kw) of rating.
5. Keep children and animals away from space heater at all times.
6. Use space heater only in accordance with local ordinances and codes.
7. Keep space heater area clear and free from combustible materials, gasoline, paint thinner and other flammable vapors and liquids.
8. Never use space heater in living or sleeping areas.
9. Never leave a space heater plugged in without adult supervision if children or animals are likely to be present. Do not leave heater unattended.
10. Never move, handle or service a hot or operating heater. Severe burns may result. You must wait 15 minutes after turning heater off.





IMPORTANT SAFETY INSTRUCTIONS

11. Never attach duct work to front or rear of space heater.
12. Space heaters used in the vicinity of tarpaulins, canvas, or similar enclosure materials shall be located a safe distance from such materials. The recommended minimum safe distance is 10 feet (304.8cm). It is further recommended that these enclosure materials be of a fire retardant nature. These enclosure materials shall be securely fastened to prevent them from igniting or from upsetting the space heater due to wind action.
13. Unplug space heater when not in use.
14. Never block air inlet (rear) or air outlet (front) of space heater.
15. This product has been approved for use in the Commonwealth of Massachusetts.
16. Use only the hose and factory preset regulator provided with the heater.
17. Use only Propane / L.P. gas set up for vapor withdrawal.
18. For indoor use only. Do not use heater outdoors.
19. Do not use heater in basement or below ground level. Propane / L.P. gas is heavier than air. If a leak occurs, Propane / L.P. gas will sink to the lowest possible level.
20. Keep heater at least six feet from Propane / L.P. tank(s). Do not point heater at Propane / L.P. tank(s) within 20 feet.
21. Keep Propane / L.P. tank(s) below 100° F (37.8° C).
22. Check heater for damage before each use. Do not use a damaged heater.
23. Check hose before each use of heater. If highly worn or cut, replace with hose specified by manufacturer before using heater.
24. Keep heater away from strong drafts, wind, water spray, rain or dripping water.
25. To prevent injury, wear gloves when handling heater.
26. Do not alter heater. Keep heater in its original state.
27. Do not use heater if altered.
28. Turn off Propane / L.P. supply to heater when not in use.
29. Use only original replacement parts. This heater must use design-specific parts. Do not substitute or use generic parts. Improper replacement parts could cause serious or fatal injuries.



SAVE THESE INSTRUCTIONS



WEAR PROTECTIVE CLOTHING

Wear close fitting clothing and safety equipment appropriate to the job.

Wear a suitable hearing protective device such as earmuffs or earplugs to protect against objectionable or uncomfortable loud noises.

Operating equipment safely requires the full attention of the operator. Do not wear radio or music headphones while operating machine.

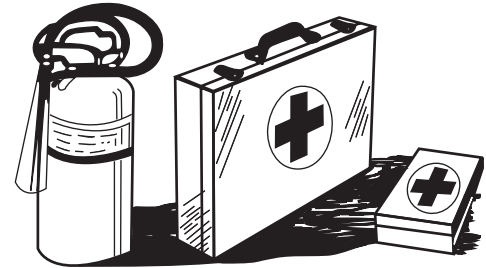


PREPARE FOR EMERGENCIES

Keep a first aid kit and fire extinguisher handy.

Keep emergency numbers for doctors, ambulance service, hospital and fire department near your telephone.

Be prepared if a fire starts.



INSPECT SPACE HEATER

Be sure all covers, guards and shields are tight and in place.

Locate all operating controls and safety labels. Inspect power cord for damage before using. There is a hazard of electrical shock from crushing, cutting or heat damage.

Remove all packing items applied to space heater for shipment. Remove all items from carton. Check items for any shipping damage. If space heater is damaged, promptly inform dealer where you bought space heater.

SERVICE SPACE HEATER SAFELY

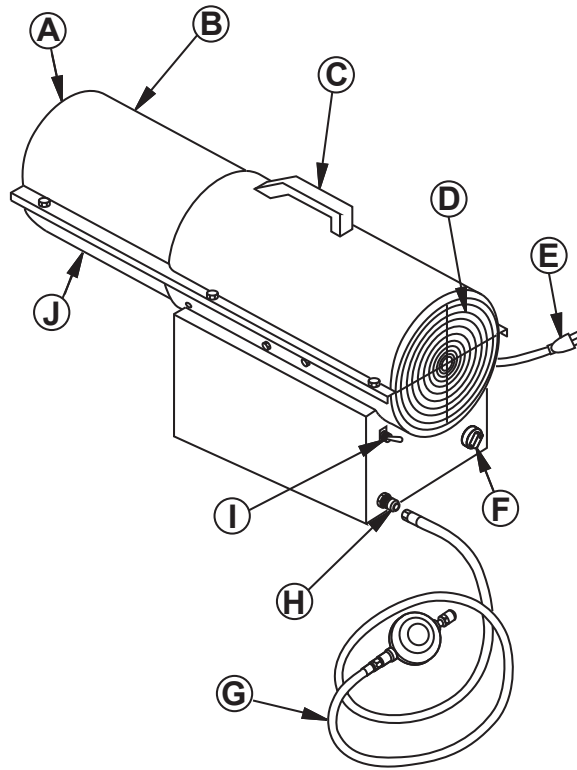
Before servicing the space heater, disconnect all equipment and battery (if equipped) and allow unit to cool down.

Service space heater in a clean dry flat area.

Controls

CONTROLS

AC-155LP



A -- Hot Air Outlet (Front)
B -- Upper Shell
C -- Handle

D -- Fan Guard
E -- Power Cord
F -- Thermostat Knob

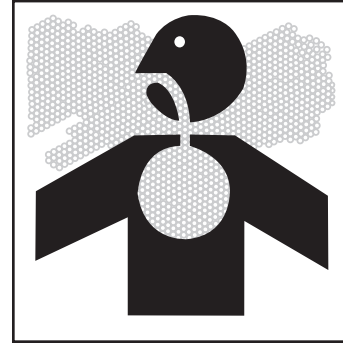
G -- Hose / Regulator Assembly
H -- Inlet Connector
I -- On / Off Switch
J -- Lower Shell

Preparation

VENTILATION

⚠ WARNING: FOLLOW THE MINIMUM FRESH, OUTSIDE AIR VENTILATION REQUIREMENTS. IF PROPER FRESH, OUTSIDE AIR VENTILATION IS NOT PROVIDED, CARBON MONOXIDE POISONING CAN OCCUR. PROVIDE PROPER FRESH, OUTSIDE AIR VENTILATION BEFORE RUNNING HEATER.

Provide a fresh air opening of at least three square feet for each 100,000 Btu/Hr rating. Provide extra fresh air if more heaters are being used.



PROPANE SUPPLY

Propane / L.P. gas and Propane / L.P. tank(s) are to be furnished by the user.

Use this heater only with a propane vapor withdrawal supply system. See Chapter 5 of the *Standard for Storage and Handling of Liquefied Petroleum Gas, ANSI/NFPA 58* and the *Propane Installation Code CAN/CGA B149.2*. Your local library or fire department will have this booklet.

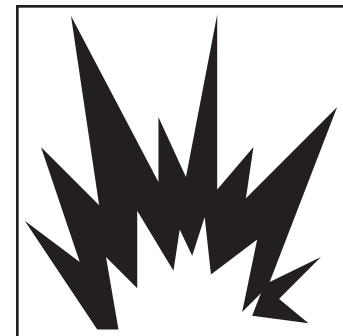
The amount of Propane / L.P. gas ready for use from Propane / L.P. tanks varies. Two factors decide this amount:

1. The amount of Propane / L.P. gas in tank(s)
2. The temperature of tank(s)

The chart below shows the number of 100 pound (45 kg) tanks needed to run this heater. Smaller tanks can be used for limited run times but it is recommended to use larger tanks for optimum performance.

| Temperature at Tank | # of 100 lbs. Tanks |
|----------------------------------|---------------------|
| 32°F (0°C) to 20°F (-6.7°C) | 2 |
| 20°F (-6.7°C) to -10°F (-23.3°C) | 3 |
| Below -10°F (-23.3°C) | (Use larger tank) |

Less gas is vaporized at lower temperatures. You may need two or more 100 pound (45 kg) tanks or one larger tank in colder weather. Your local Propane / L.P. gas dealer will help you select the proper supply system. The minimum surrounding air temperature rating for each heater is -20° F (-29° C).



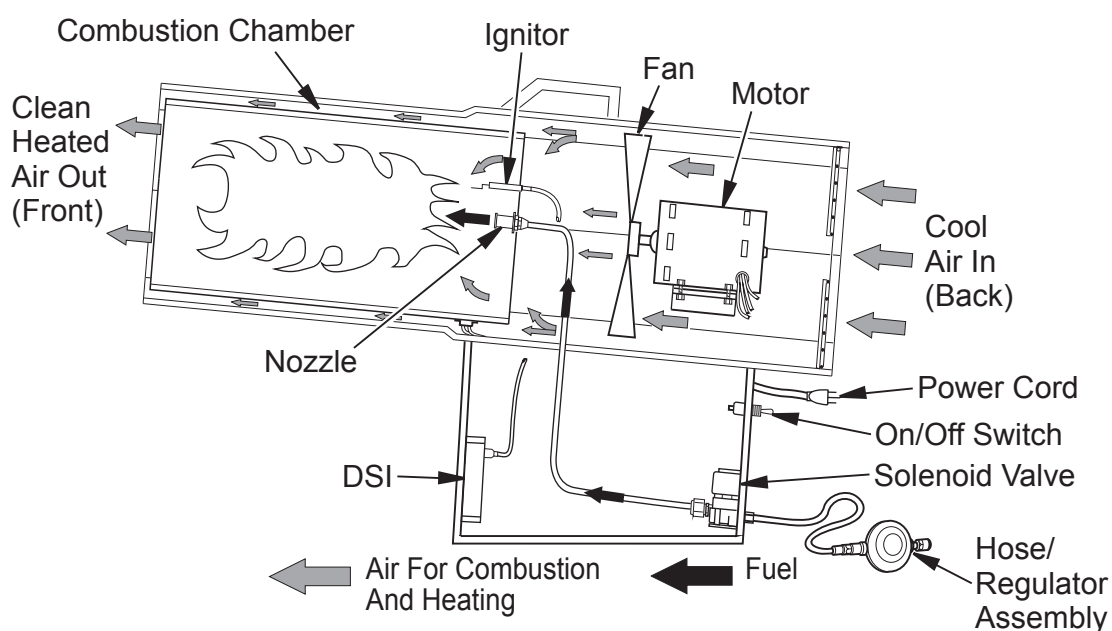
THEORY OF OPERATION

The Fuel System: The hose / regulator assembly attaches to the Propane / L.P. gas supply. The Propane / L.P. gas moves through the solenoid valve and out the nozzle.

The Air System: The motor turns the fan. The fan pushes air into and around the combustion chamber. This air is heated and provides a stream of clean, hot air.

The Ignition System: The direct spark ignitor (DSI) sends voltage to the spark plug/ignitor. The spark plug / ignitor ignites the fuel and air mixture.

The Safety Control System: This system causes the heater to shut down if the flame goes out.



Installation

INSTALLATION

IMPORTANT: Review and understand the warnings in the Safety Information section. They are needed to safely operate this space heater. Follow all local ordinances and codes when using this space heater.



WARNING: TEST ALL GAS PIPING AND CONNECTIONS FOR LEAKS AFTER INSTALLING OR SERVICING. NEVER USE AN OPEN FLAME TO CHECK FOR A LEAK. APPLY A MIXTURE OF LIQUID SOAP AND WATER TO ALL JOINTS. BUBBLES FORMING SHOW A LEAK. CORRECT ALL LEAKS AT ONCE.

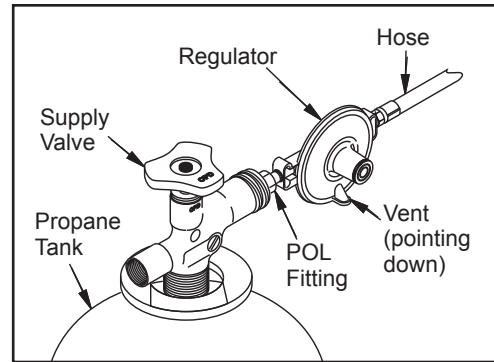
1. Provide propane supply system (see Propane Supply section).
2. Connect POL fitting on hose / regulator assembly to Propane / L.P. tank(s). (Fig. 1) Turn POL fitting counterclockwise into threads on tank. Tighten firmly using wrench. Tighten regulator with vent pointing down.
3. Connect hose to inlet connector. Tighten firmly using a wrench. (Fig. 2)

IMPORTANT: Extra hose or piping may be used if needed. Install extra hose or piping between hose/regulator assembly and Propane / L.P. tank. You must use the regulator supplied with heater.

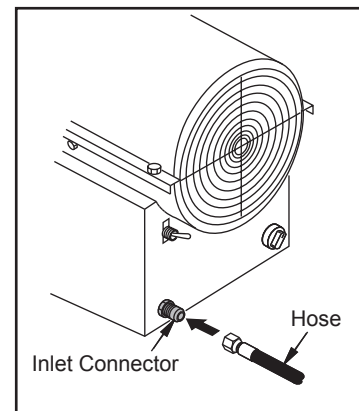
4. Open propane supply valve on Propane / L.P. tank(s) slowly.

Note: *If not opened slowly, excess-flow check valve on Propane / L.P. tank will stop gas flow. If this happens, close propane supply valve and open again slowly.*

5. Check all connections for leaks.
6. Close propane supply valve.



(Fig. 1)



(Fig. 2)

Operation

OPERATION



WARNING: FOLLOW THE MINIMUM FRESH, OUTSIDE AIR VENTILATION REQUIREMENTS. IF PROPER FRESH, OUTSIDE AIR VENTILATION IS NOT PROVIDED, CARBON MONOXIDE POISONING CAN OCCUR. PROVIDE PROPER FRESH, OUTSIDE AIR VENTILATION BEFORE RUNNING HEATER.

START SPACE HEATER:

1. Follow all ventilation and safety information.
2. Place the space heater in an area that provides maximum circulation of the heated air. Follow all location requirements noted in the Safety Information.
3. Locate heater on stable and level surface. Make sure strong drafts do not blow into front or rear of heater.
4. Plug power cord of heater into a three-prong, grounded extension cord. Extension cord must be at least 6 feet (1.83 m) long, UL listed and of a proper size. See Extension Cord Chart.

Extension Cord Size Requirement

| Length of Cord: | Rated Cord: |
|------------------------------------|-------------|
| Up to 50 feet (15 m) | 18 AWG |
| 51 to 100 feet (15.5 to 30.48 m) | 16 AWG |
| 101 to 200 feet (30.78 to 60.96 m) | 14 AWG |

Operation

OPERATION

5. Plug extension cord into a 120 volt/60 hertz, 3-hole, grounded outlet.
6. Open propane supply valve on Propane / L.P. tank(s) slowly.

Note: *If not opened slowly, excess-flow check valve on Propane / L.P. tank will stop gas flow. You may hear a click from the excess-flow check valve closing. If this happens, reset the excess-flow check valve by closing propane supply valve and open again slowly.*

7. Turn thermostat control knob fully counterclockwise to the "cooler" position. Turn ON/OFF switch to the ON position. Turn thermostat control knob slowly clockwise until electric motor and fan begin to run. Heater will start in approximately 3 seconds. Adjust thermostat control knob to warmer or cooler setting as needed.

Note: *If heater does not start after 3 seconds, the ignition control will automatically attempt to start heater one time. If heater fails to start on this attempt, the safety control will "lock out" and no further automatic restarts will be attempted. This could occur if air remains in fuel line. If heater fails to start on this attempt, turn ON/OFF switch to OFF position. Wait ten seconds for safety control to reset, then turn ON/OFF switch back to ON position and try to start heater again.*

8. **Thermostat Operation Only:** During normal thermostat operation, heater will cycle off when air temperature rises to thermostat setting. When air temperature drops sufficiently below thermostat setting, the electric motor and fan will begin to run. After 15 to 60 seconds, heater burner should automatically ignite and provide heat to maintain temperature setting.

STOP SPACE HEATER:

1. Tightly close propane supply valve on Propane / L.P. tank(s).
2. Wait a few seconds. Heater will burn gas left in supply hoses.
3. Turn ON/OFF switch to the OFF position.
4. Unplug heater.

Troubleshooting



WARNING: HIGH VOLTAGE. NEVER SERVICE SPACE HEATER WHILE IT IS PLUGGED IN, OPERATING, OR HOT. SEVERE BURNS AND ELECTRICAL SHOCK CAN OCCUR.

| Symptom | Problem | Solution |
|---|--|---|
| Fan does not turn when heater is plugged in. | No electrical power to heater. | Check voltage to electrical outlet. If voltage is good, check heater power cord for breaks. |
| | Fan hitting inside of heater shell. | Adjust motor / fan mount to keep fan from hitting inside of heater shell. |
| | Fan blades bent. | Replace fan. |
| | Defective motor. | Replace motor. |
| Heater will not ignite. | User did not follow installation or operation instructions properly. | Repeat installation and operation instructions. |
| | No spark at ignitor. To test for spark, see "Maintenance: Ignitor" and follow step 8. If you see spark at ignitor, have heater serviced by qualified service person. If no spark seen: | |
| | a. Loose or disconnected ignitor wire | a. Check ignitor wire. Tighten or reattach loose ignitor wire. See "Maintenance: Spark Transformer" for ignitor wire location |
| | b. Wrong spark gap | b. Set gap between ignitor electrode and nozzle to .13"-.15" (3.3/3.8 mm) |
| | c. Bad ignitor electrode | c. Replace ignitor electrode. See "Maintenance: Ignitor". |
| d. Bad spark transformer | d. Replace spark transformer. See "Maintenance: Spark Transformer". | |



WARNING: HIGH VOLTAGE. NEVER SERVICE SPACE HEATER WHILE IT IS PLUGGED IN, OPERATING, OR HOT. SEVERE BURNS AND ELECTRICAL SHOCK CAN OCCUR.

| Symptom | Problem | Solution |
|--|---|---|
| Heater shuts down while running. | Propane / L.P. supply may be inadequate. | a. Refill tank b. Provide additional and/or larger tanks. See "Preparation: Propane Supply". |
| | High surrounding air temperature causing thermal limit device to shut down heater. | This can happen when running heater in temperatures above 85° F (30° C). Run heater in cooler temperatures. |
| | Restricted air flow. | Check heater inlet and outlet. Remove any obstructions. |
| | Damaged fan. | Replace fan. See "Maintenance: Fan". |
| | Excessive dust or debris in surrounding area. | Clean heater. See "Maintenance". |
| ⚠ WARNING: Use only in areas free of high dust content. | | |
| Heater producing odor. | Gas leak. | Check all connections for leaks. Apply mixture of liquid soap and water to gas joints. Bubbles forming show a leak that must be corrected |
| | Heater operating on a 20 lb. Propane / L.P. cylinder. Insufficient Propane / L.P. gas will be supplied by a 20 lb. cylinder resulting in odor. | To obtain correct mixture of Propane / L.P. gas and air, use a larger cylinder size, i.e. 100 lb. See "Preparation: Propane Supply". |
| | Propane / L.P. supply tank is "freezing up". Evaporation and consumption rate of Propane / L.P. from supply tank is too great for the size of the tank and air temperature. | Use a larger supply cylinder size, i.e. 100 lb. |

Service

MAINTENANCE:

! WARNING: TO AVOID RISK OF BURN AND ELECTRICAL SHOCK, NEVER ATTEMPT TO SERVICE SPACE HEATER WHILE IT IS PLUGGED IN, OPERATING, OR HOT.

KEEP HEATER CLEAR AND FREE FROM COMBUSTIBLE MATERIALS, GASOLINE AND OTHER FLAMMABLE VAPORS AND LIQUIDS

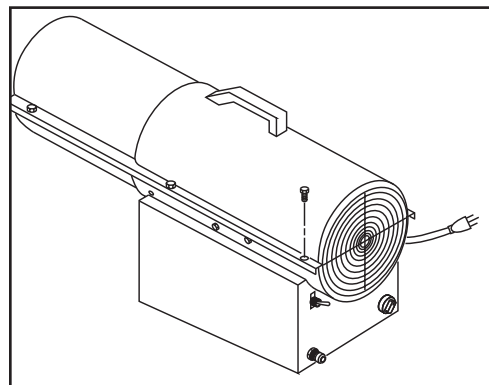
DO NOT BLOCK THE FLOW OF COMBUSTION OR VENTILATION AIR.

1. Keep heater clean. Clean heater annually or as needed to remove dust and debris. If heater is dirty or dusty, clean heater with a damp cloth. Use household cleaners on difficult spots.
2. Inspect heater before each use. Check connections for leaks. Apply mixture of liquid soap and water to connections. Bubbles forming show a leak. Correct all leaks at once.
3. Inspect hose / regulator assembly before each use. If hose is highly worn or cut, replace with hose specified by manufacturer.
4. Have heater inspected yearly by a qualified service agency.
5. Keep inside of heater free from combustible and foreign objects. Remove motor and other internal parts if needed to clean inside of heater.
6. Clean fan blades each season or as needed.

! WARNING: NEVER SERVICE HEATER WHILE IT IS PLUGGED IN, CONNECTED TO PROPANE SUPPLY, OPERATING OR HOT. SEVERE BURNS AND ELECTRICAL SHOCK CAN OCCUR.

UPPER SHELL REMOVAL:

1. Remove screws along each side of heater using 5/16" nut-driver. These screws attach upper and lower shells together. (Fig. 3)
2. Lift or slide upper shell off.
3. Remove fan guard.



(Fig. 3)

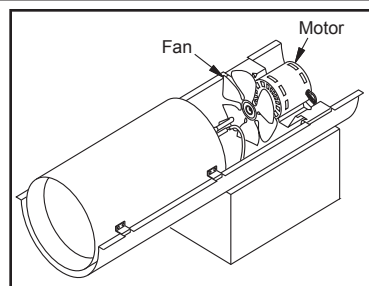
MAINTENANCE (CONTINUED):**FAN:**

IMPORTANT: Remove fan from motor shaft before removing motor from heater. The weight of the motor resting on the fan could damage the fan pitch.

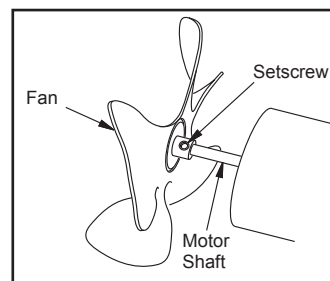
1. Remove upper shell.
2. Use 1/8" hex wrench to loosen setscrew which holds fan to motor shaft.
3. Slip fan off motor shaft. (Fig. 4 & 5)
4. Clean fan using soft cloth moistened with kerosene or solvent.
5. Dry fan thoroughly.
6. Replace fan on motor shaft. Make sure setscrew is touching back of flat surface on motor shaft (Fig. 6).
7. Place setscrew on flat of shaft. Tighten setscrew firmly (40-50 inch-pounds).
8. Replace fan guard and upper shell.

IGNITOR:

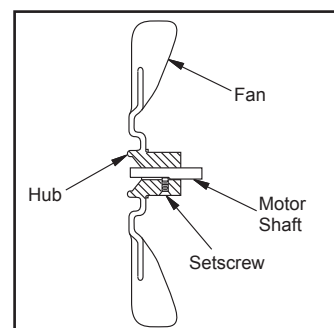
Make sure gap between ignitor electrode and burner nozzle is 0.13/0.15". Access ignitor electrode from inside combustion chamber. No other maintenance is needed for ignitor.



(Fig. 4)



(Fig. 5)



(Fig. 6)

Storage



CAUTION: DISCONNECT HEATER FROM PROPANE L.P. SUPPLY TANK(S).

1. Store Propane / L.P. tank(s) in safe manner. See Chapter 5 of *Standard for Storage and Handling of Liquefied Petroleum Gases, ANSI/NFPA 58* and the *Propane Installation Code CAN/CGA B149.2*. Follow all local codes. Always store Propane / L.P. tanks outdoors.
2. Place plastic cover caps over brass fittings on inlet connector and hose / regulator assembly.
3. Store in dry, clean and safe place. Do not store hose / regulator assembly inside heater combustion chamber.
4. When taking heater out of storage, always check inside of heater. Insects and small animals may place foreign objects in heater. Keep inside of heater free from combustible and foreign objects.

Specifications

| ITEM | SPECIFICATION |
|--|-------------------------------------|
| Model Size | AC-155LP |
| Output Rating (BTU / Hr) | 150,000 |
| Fuel | Propane Vapor Only |
| Fuel Consumption: | |
| (Gal. Per Hr / Liters Per Hr) | 1.6 / 6.1 |
| (Pounds Per Hr / Kilograms Per Hr) | 7.0 / 3.2 |
| Supply Pressure to Regulator: | |
| Minimum (for input adjustment) | 10 PSI / 65.98 kPa |
| Maximum | Tank Pressure |
| Regulator Outlet Pressure | Factory Preset @ 12.5" WC / 31.8 cm |
| Manifold Pressure | 9.8" WC / 24.9 cm |
| Hot Air Output (Approx.) | 550 CFM / 15.6 cubic meter / minute |
| Motor RPM | 3450 |
| Motor HP | 1/8 |
| Electric Input | 120V / 60Hz |
| Amperage (Normal Run) | 2.2 |
| Ignition | Electronic Direct Spark, D.S.I. |
| Ignitor Gap | 0.13 in / 0.15 in (3.3 mm / 3.8 mm) |
| Shipping Weight (Approximate Pounds / Kilograms) | 35 / 15.9 |
| Space Heater Weight (Approximate Pounds / Kilograms) | 27 / 12.2 |

RECORD SERIAL NUMBER

Write you model number, machine serial number and date of purchase in the spaces provided below. Your dealer needs this information when ordering parts.

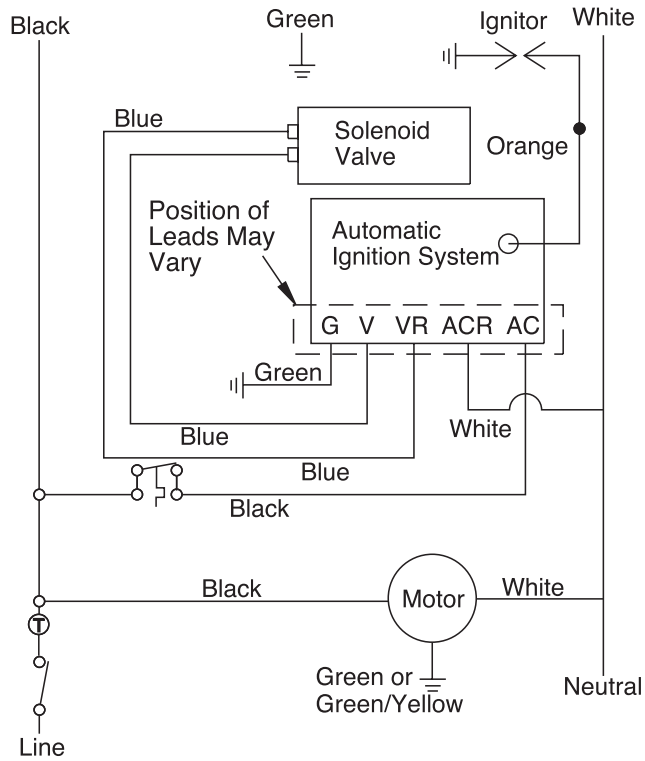
Model No. _____

Machine Serial No. _____

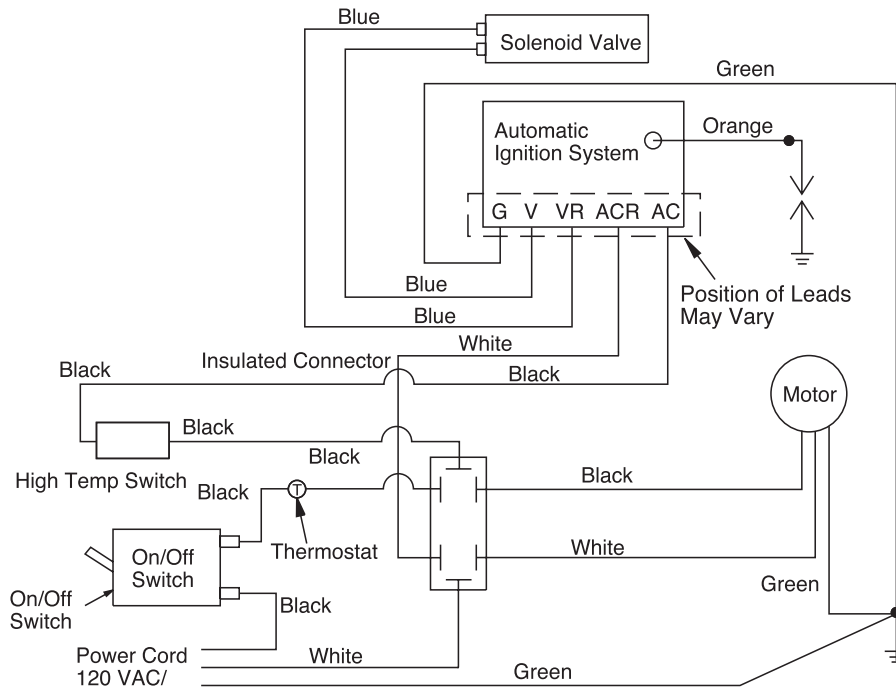
Date of Purchase _____
(To be filled in by purchaser)

Wire Diagram

Electrical Ladder Diagram



Electrical Connection Diagram



STATEMENT OF WARRANTY

John Deere warrants all parts, (except those referred to below), of your new space heater to be free from defects in materials and workmanship during the following periods:

For One (1) Year from the date of original purchase.

Defective parts not subject to normal wear and tear will be repaired or replaced at our option during the warranty period. In any event, reimbursement is limited to the purchase price paid.

EXCLUSIONS

1. This warranty does not cover parts damaged due to normal wear, misapplication, misuse, operation at other than recommended. Failure to follow recommended operating and maintenance procedures also voids warranty.
2. The use of other than genuine manufacturer repair parts will void warranty.
3. Warranty will be void if used in any application other than consumer / homeowner. Parts returned, prepaid to our factory or to an Authorized John Deere Service Center will be inspected and replaced free of charge if found to be defective and subject to warranty. There are no warranties which extend beyond the description of the face hereof. Under no circumstances shall the manufacturer bear any responsibility for loss of use of the unit, loss of time or rental, inconvenience, commercial loss or consequential damages.

For Service or Warranty Consideration, contact
Mi-T-M[®] Corporation, 8650 Enterprise Drive, Peosta, IA 52068
1-877-JD-KLEEN / (1-877-535-5336) Fax 563-556-1235
Monday - Friday 8:00 a.m. - 5:00 p.m. CST

Notes


Introduction

MERCI de la confiance témoignée par l'achat d'un produit John Deere.


LIRE CE MANUEL ATTENTIVEMENT AFIN de pouvoir utiliser et entretenir correctement votre appareil, sinon des dommages corporels ou matériels pourraient en résulter. Ce manuel et les symboles de sécurité sur votre appareil peuvent également être disponible en d'autres langues. (Voir votre concessionnaire John Deere pour les commander.)

CE MANUEL DOIT ÊTRE CONSIDÉRÉ comme faisant partie intégrante de votre appareil et doit l'accompagner en cas de revente.

LES MESURES dans ce manuel sont indiquées à la fois dans leurs équivalents métriques et en unités usuelles des USA. Utiliser seulement les pièces de rechange et les éléments de fixation corrects. Les éléments de fixation métriques et en pouces peuvent nécessiter des clés spécifiques à leurs système d'unités.

 **AVERTISSEMENT GÉNÉRAL DE RISQUE :**
LISEZ ATTENTIVEMENT ET ENTIÈREMENT CE MANUEL D'UTILISATION AVANT DE TENTER D'ASSEMBLER, DE FAIRE FONCTIONNER OU DE RÉPARER CE RADIATEUR. UNE MAUVAISE UTILISATION DE CET APPAREIL DE CHAUFFAGE PEUT CAUSER DE GRAVES BLESSURES, VOIRE LA MORT, SUITE À DES BRÛLURES, UN INCENDIE, UNE EXPLOSION, UNE DÉCHARGE ÉLECTRIQUE OU UN EMPOISONNEMENT AU MONOXYDE DE CARBONE.

LISEZ ET COMPRENEZ TOUS LES AVERTISSEMENTS. CONSERVEZ CE MANUEL POUR CONSULTATION FUTURE. IL VOUS PERMETTRA DE FAIRE FONCTIONNER CET APPAREIL DE CHAUFFAGE CORRECTEMENT ET EN TOUTE SÉCURITÉ.

 **AVERTISSEMENT: RISQUE D'INCENDIE, DE BRÛLURES, D'INHALATION ET D'EXPLOSION. MAINTENIR LES MATÉRIAUX COMBUSTIBLES SOLIDES, TELS QUE LES MATÉRIAUX DE CONSTRUCTION, LE PAPIER OU LE CARTON À UNE DISTANCE RESPECTUEUSE DE L'APPAREIL DE CHAUFFAGE TEL QU'IL EST RECOMMANDÉ DANS LES INSTRUCTIONS. NE JAMAIS SE SERVIR DE L'APPAREIL DE CHAUFFAGE DANS DES ENDROITS QUI CONTIENNENT OU QUI PEUVENT CONTENIR DES COMBUSTIBLES EN SUSPENSION OU DES PRODUITS TELS QUE L'ESSENCE, LES DISSOLVANTS, LES DILUANTS DE PEINTURE, LES PARTICULES DE POUSSIÈRE OU DES PRODUITS CHIMIQUES INCONNUS.**

 **AVERTISSEMENT: NE PAS UTILISER DANS LES DOMICILES OU LES CAMPING-CARS.**

Le NUMÉRO DE SÉRIE de l'appareil se situe dans la section Caractéristiques ou Numéros d'Identification. Noter correctement tous les numéros afin de faciliter les recherches en cas de vol. Les communiquer également au concessionnaire lors de toute commande de pièces. Ranger les numéros d'identification dans un endroit sûr et séparé de l'appareil.

LA GARANTIE fait partie du programme de soutien John Deere destiné aux clients qui utilisent et entretiennent leur équipement tel qu'il est décrit dans ce manuel. Les conditions de garantie dont bénéficie cet appareil figurent sur le certificat de garantie dans ce manuel.

Cette garantie vous fournit l'assurance que votre concessionnaire fournira du support pour les produits où des défauts apparaîtraient au cours de la période de garantie. Toute utilisation abusive de l'équipement ou modification visant à dépasser les performances spécifiées par le constructeur annuleront la garantie.

Cet appareil est conçu comme appareil de chauffage pour le travail en bâtiment conformément à ANSI Z83.7/CGA 2.14. D'autres normes gouvernent l'utilisation des gaz combustibles et des produits de chauffage à utilisations spécifiques. Les autorités locales peuvent vous conseiller à ce sujet. L'usage principal des appareils de chauffage de construction est de fournir un chauffage temporaire aux bâtiments en construction, sous transformations ou en réparations. Quand il est utilisé correctement, l'appareil de chauffage fournit un chauffage économique et sans danger. Les produits de combustion sont évacués dans l'endroit qui est chauffé.

Nous ne pouvons pas prévoir tous les emplois possibles de nos appareils de chauffage. **Consulter les responsables locaux de la sécurité incendie si vous avez des questions à propos de l'utilisation de l'appareil de chauffage.**

D'autres normes déterminent l'utilisation des gaz combustibles et des produits de chauffage à utilisations spécifiques. Les autorités locales peuvent vous conseiller à ce sujet.

Le gaz de propane n'a pas d'odeur. Un agent qui fabrique une odeur est ajouté au gaz de propane. Cette odeur vous aide à détecter une fuite de propane. Cependant, l'odeur qui est ajouté au gaz de propane peut s'estomper. Le gaz de propane peut être présent même s'il n'y a pas d'odeur.

Installer et utiliser l'appareil de chauffage avec soin. Respecter toutes les ordonnances et codes locaux. S'il n'y a pas d'ordonnances et de codes locaux, consulter *La Norme pour l'Entreposage et la Manipulation du Gaz de Pétrole Liquéfié, ANSI/NFPA 58* et le *Code d'Installation de Propane, CAN/CGA B149.2*. Vous y trouverez des instructions décrivant la façon la plus sûre pour entreposer et manipuler les gaz propane.

AVERTISSEMENT

Cet appareil contient ou produit des produits chimiques déterminés par l'État de Californie comme cancérigènes et pouvant causer des malformations congénitales et d'autres problèmes reliés à la reproduction.

Table des matières

| | Page |
|-------------------------|-------|
| Sécurité | 24 |
| Commandes | 29 |
| Préparation | 30 |
| Installation | 32 |
| Fonctionnement | 33 |
| Dépannage | 34 |
| Entretien | 36 |
| Entreposage | 38 |
| Caractéristiques | 39 |
| Schéma de câblage | 40 |
| Garantie | 41 |
| Note | 42-43 |

Toutes les informations, illustrations et caractéristiques contenues dans la présente publication sont à jour au moment de la publication, le constructeur se réservant le droit d'apporter sans notification toute modification jugée appropriée.

Sécurité

RECONNAITRE LES SYMBOLES DE SÉCURITÉ

Voici le symbole d'alerte de sécurité. Lorsqu'il apparaît sur votre appareil ou dans ce manuel, rester conscient du risque potentiel de blessures.

Respecter tous les conseils de sécurité ainsi que les consignes générales de prévention des accidents.



COMPRENDRE LES MOTS D'ALERTE

Un mot d'alerte—DANGER, AVERTISSEMENT ou ATTENTION—est utilisé avec le symbole d'alerte de sécurité. Le terme DANGER identifie les dangers les plus graves.

Les signes de sécurité avec DANGER ou AVERTISSEMENT se trouvent près des dangers spécifiques. Les signes de sécurité avec ATTENTION se réfèrent à des précautions d'ordre général. Le terme ATTENTION demande aussi de prêter attention aux messages de sécurité dans ce manuel.

 **DANGER**

 **WARNING**

 **CAUTION**

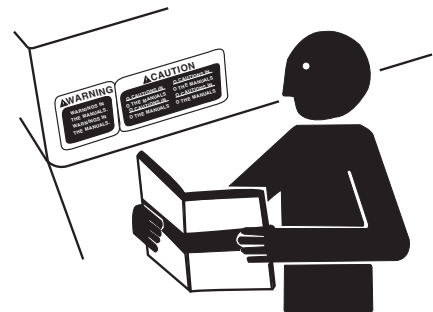
RESPECTER LES CONSEILS DE SÉCURITÉ

Lire attentivement tous les conseils de sécurité contenus dans ce manuel et ceux apposés sur l'appareil. Veiller à ce que les signes de sécurité soient lisibles. Remplacer ceux qui manqueraient ou seraient endommagés. S'assurer que les nouveaux composants ou pièces de rechange incluent les signes de sécurité courants. Des signes de rechange sont disponibles chez votre concessionnaire John Deere.

Lisez attentivement et entièrement ce manuel d'utilisation avant de tenter d'assembler, de faire fonctionner ou de réparer ce radiateur. Une mauvaise utilisation de cet appareil de chauffage peut causer de graves blessures, voire la mort, suite à des brûlures, un incendie, une explosion, une décharge électrique ou un empoisonnement au monoxyde de carbone.

Lisez et comprenez tous les avertissements. Conservez ce manuel pour consultation future. Il vous permettra de faire fonctionner cet appareil de chauffage correctement et en toute sécurité.

Si vous ne comprenez pas toute partie de ce manuel et avez besoin d'assistance, prenez contact avec votre concessionnaire John Deere.



OXYDE DE CARBONE – GAZ TOXIQUE

 **DANGER: L'EMPOISONNEMENT AU MONOXYDE DE CARBONE PEUT ÊTRE MORTEL!**

Le gaz d'échappement du carburant contient de l'oxyde de carbone – un gaz toxique qui peut vous tuer. Vous NE POUVEZ PAS sentir ou voir ce gaz.

Empoisonnement au monoxyde de carbone: Les premiers symptômes d'un empoisonnement au monoxyde de carbone ressemblent à la grippe avec des maux de tête, des vertiges ou de la nausée.

Si vous avez ces symptômes, il se pourrait que l'appareil de chauffage ne fonctionne pas bien. Respirez tout de suite de l'air frais ! Faites réparer l'appareil de chauffage. Certaines personnes sont plus affectées par le monoxyde de carbone que d'autres. Celles-ci comprennent les femmes enceintes, les personnes souffrant de maladies cardiaques ou pulmonaires ou d'anémie, celles qui sont en état d'ébriété et celles qui vivent à haute altitude.

Ne jamais se servir d'un carburant dans des espaces fermés ou partiellement fermés sans ventilation appropriée. Ne l'utilisez que dans des endroits bien aérés. Avant d'utiliser l'appareil de chauffage, aménagez une ouverture d'air frais provenant de l'extérieur d'au moins 0,28 m² (3 pi²) pour chaque 30 kW (100 000 BTU/h) de puissance. Les l'appareil de chauffage peuvent produire de hauts niveaux d'oxyde de carbone très rapidement. Pendant l'utilisation d'un carburant, se rappeler que vous ne pouvez pas sentir ou voir l'oxyde de carbone. Même si vous ne sentez pas les gaz d'échappement, vous pouvez tout de même être exposé à l'oxyde de carbone.

Si vous commencez à vous sentir malade, étourdi, ou faible pendant l'utilisation d'un l'appareil de chauffage, sortez au grand air immédiatement. NE PAS ATTENDRE. L'oxyde de carbone provenant des l'appareil de chauffage peut rapidement être la cause d'une incapacité complète ou de mort.

En cas des symptômes sérieux, trouver de l'aide médicale immédiatement. Informer le personnel médical qu'une intoxication à l'oxyde de carbone est possible. Si vos symptômes sont apparus à l'intérieur, ne pas retourner dans le bâtiment avant que les sapeurs pompiers s'assurent que le bâtiment est sans danger.

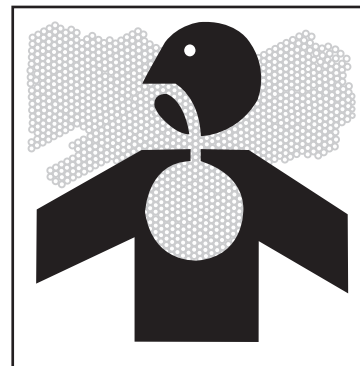
NE JAMAIS utiliser le l'appareil de chauffage dans une atmosphère explosible, près de matériaux combustibles ou dans un endroit où la ventilation n'est pas suffisante pour évacuer les gaz d'échappement. **Les gaz d'échappement peuvent être la cause de blessures graves ou de mort.**

NE JAMAIS se servir d'un l'appareil de chauffage à l'intérieur, que ce soit dans des maisons, garages, sous-sols, vides de comble ou vides sanitaire, et autres espaces fermés ou partiellement fermés, sans ventilation appropriée. Le fait d'ouvrir des fenêtres et des portes ou d'utiliser des ventilateurs n'empêchera pas l'accumulation d'oxyde de carbone dans la maison. Ne l'utilisez que dans des endroits bien aérés. Avant d'utiliser l'appareil de chauffage, aménagez une ouverture d'air frais provenant de l'extérieur d'au moins 0,28 m² (3 pi²) pour chaque 30 kW (100 000 BTU/h) de puissance.

Si vous commencez à vous sentir malade, étourdi, ou faible tout en en utilisant le réchauffeur de l'espace, a fermé si au loin et obtient l'air frais TOUT DE SUITE. Voir le docteur. Vous pouvez avoir l'empoisonnement d'oxyde de carbone.

Installer des alarmes d'oxyde de carbone à piles ou des alarmes d'oxyde de carbone avec batterie de secours qui se branche dans votre maison, selon les instructions d'installation du fabricant. Les alarmes d'oxyde de carbone doivent être conforme aux exigences des dernières normes de sécurité pour les alarmes d'oxyde de carbone. (UL 2034, IAS 6-96, ou CSA 6.19.01).

Tester votre alarme d'oxyde de carbone fréquemment et remplacer les piles à plat.





RISQUES ÉLECTRIQUES



DANGER - UN BRANCHEMENT INCORRECT DU CONDUCTEUR DE MISE À LA TERRE DE L'ÉQUIPEMENT PEUT ENTRAÎNER DES RISQUES D'ÉLECTROCUTION. VÉRIFIER AVEC UN DÉPANNEUR OU UN ÉLECTRICIEN QUALIFIÉ EN CAS DE DOUTES CONCERNANT LA MISE À LA TERRE.



N'utiliser que la tension et la fréquence électrique indiquées sur la plaque signalétique. Le câblage électrique et la mise à la terre de l'appareil de chauffage doivent respecter le *Code National Electrique*, ANSI/NFPA 70 ou le *Code Canadien Electrique, Partie 1*.

L'appareil de chauffage doit être mis à la terre. N'utiliser qu'une rallonge électrique trifilaire avec mise à la terre. Ne le brancher que dans une prise avec mise à la terre. En cas de mauvais fonctionnement ou de panne, la mise à la terre fournit un chemin de moindre résistance au courant électrique, réduisant ainsi les risques de décharge électrique.

L'appareil de chauffage est une source potentielle de décharge électrique s'il n'est pas gardé au sec. Maintenir l'appareil de chauffage au sec et ne pas l'utiliser par temps de pluie ou dans des conditions humides. Pour protéger l'appareil de chauffage contre l'humidité, ne s'en servir que sur une surface sèche et sous une structure ouverte tel qu'un auvent. Ne jamais toucher l'appareil de chauffage avec les mains mouillées.

Vérifier que toute la rallonge est en bon état, sans entailles ou déchirures et que la fiche a bien trois broches, et surtout une lame de terre.

CONSEILS DE SÉCURITÉ IMPORTANTS

Assurez-vous vous lire et comprendre tous les avertissements. Gardez ce manuel pour la référence. C'est votre guide de fonctionnement sûr et approprié de ce réchauffeur.



1. N'utilisez que dans des endroits libres de vapeur inflammable et de poussière.
2. Distance minimale de tout matériau combustible : 2,44 m (8 pi) de toute sortie d'air brûlant, 1,83 m (6 pi) du dessus et 60,96 cm (2 pi) des côtés et de l'admission d'air.
3. Placez l'appareil de chauffage sur une surface stable et de niveau lorsqu'il est chaud ou lorsqu'il est en marche, pour éviter tout risque d'incendie.
4. Ne l'utilisez que dans des endroits bien aérés. Avant d'utiliser l'appareil de chauffage, aménagez une ouverture d'air frais provenant de l'extérieur d'au moins 0,28 m² (3 pi²) pour chaque 30 kW (100 000 BTU/h) de puissance.
5. Gardez les enfants et les animaux éloignés de l'appareil de chauffage en tout temps.
6. Ne se servir de l'appareil de chauffage que conformément aux ordonnances et codes locaux.
7. S'assurer que la zone où se trouve l'appareil de chauffage est libre de toute substance combustible, d'essence, de diluant de peinture et d'autres liquides et vapeurs inflammables.
8. Ne jamais se servir de l'appareil de chauffage dans les espaces d'habitation.
9. Ne jamais laisser un appareil de chauffage branché sans la surveillance d'un adulte s'il est possible que des enfants ou animaux soient présents. Ne pas laisser l'appareil de chauffage sans surveillance.
10. Ne jamais déplacer, manipuler ou réparer un appareil de chauffage chaud ou en marche. Des blessures graves pourraient en résulter. Il faut attendre 15 minutes après l'arrêt de l'appareil.

CONSEILS DE SÉCURITÉ IMPORTANTS

11. N'installer jamais de système de conduits d'air à l'avant ou à l'arrière de l'appareil de chauffage.
12. Les appareils de chauffage à proximité de bâches, de toiles et d'autres matériaux semblables doivent être maintenus à une bonne distance de ces derniers. La distance minimale de sécurité recommandée est de 3,05 m (10 pi). De plus, il est conseillé d'utiliser des bâches de protection ignifuges. Ces matériaux doivent être solidement attachés pour les empêcher de s'enflammer ou de nuire à l'appareil de chauffage sous l'action du vent.
13. Débranchez l'appareil lorsqu'il n'est pas utilisé.
14. Ne bloquez jamais la prise d'air (à l'arrière) ou la sortie d'air (en avant) de l'appareil de chauffage.
15. Cet appareil a été approuvé pour être utilisé dans l'état du Massachusetts.
16. Ne se servir que du tuyau et du détendeur programmés en usine fournis avec cet appareil de chauffage.
17. Utiliser uniquement des réservoirs de Propane/GPL équipés pour le soutirage de gaz.
18. S'utilise uniquement à l'intérieur. Ne pas se servir de l'appareil de chauffage à l'extérieur.
19. Ne pas se servir de l'appareil de chauffage dans un sous-sol ou sous le niveau du sol. Le gaz Propane/GPL est plus lourd que l'air. Si une fuite se produit, le gaz Propane/GPL s'enfoncera au niveau le plus bas possible.
20. Maintenir l'appareil de chauffage à une distance minimale de 6 pieds (1m 82) du/des réservoir(s) de Propane/GPL. Ne pas orienter l'appareil de chauffage vers un/des réservoir(s) de Propane/GPL se trouvant à moins de 20 pieds (6m10).
21. Maintenir le/les réservoirs de Propane/GPL en dessous de 100° F (37.8°C).
22. S'assurer que l'appareil de chauffage n'est pas endommagé avant chaque utilisation. Ne pas se servir d'un appareil endommagé.
23. Vérifier l'état du tuyau avant chaque utilisation de l'appareil de chauffage. Si le tuyau est très usé ou entaillé, le remplacer avec un tuyau spécifié par le fabricant avant d'utiliser l'appareil de chauffage.
24. Maintenir l'appareil de chauffage à l'écart de forts courants d'air, du vent, des gicllements d'eau, de la pluie ou d'eau qui goutte.
25. Pour éviter les blessures, porter des gants lors du maniement de l'appareil de chauffage.
26. Ne pas modifier l'appareil de chauffage. Maintenir l'appareil de chauffage dans son état original.
27. Ne pas se servir de l'appareil de chauffage s'il a été altéré.
28. Fermer l'approvisionnement en propane de l'appareil quand il ne sert pas.
29. Ne se servir que de pièces de rechange d'origine. Cet appareil ne doit utiliser que des pièces à caractéristiques spécifiques. Ne pas substituer ou utiliser des pièces de rechange génériques. Des pièces de rechange incorrectes peuvent être la cause de blessures graves ou mortelles.



CONSERVER CES INSTRUCTIONS

PORTER DES VÊTEMENTS DE PROTECTION

Porter des vêtements ajustés et un équipement de sécurité adapté au travail.

Porter un dispositif protecteur d'audition approprié tel que des couvre-oreilles ou des bouche-oreilles pour se protéger contre des bruits forts réprehensibles ou inconfortables.

La pleine attention de l'opérateur est requise afin d'utiliser l'équipement en toute sécurité. Ne pas porter des écouteurs de radio ou de musique tout en actionnant la machine.

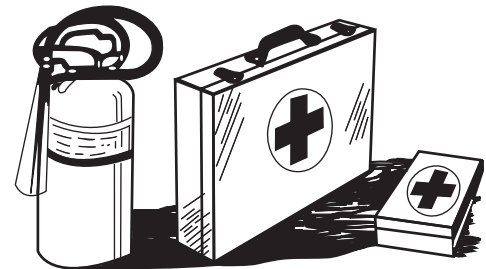


PRÉPARATION POUR LES URGENCES

Garder une trousse des premiers secours et un extincteur à portée de la main.

Garder les numéros d'urgence des docteurs, du service d'ambulance, de l'hôpital et des pompiers en cas d'urgence près du téléphone.

Etre prêt si un incendie débute.



INSPECTER L'APPAREIL DE CHAUFFAGE

S'assurer que tous les couvercles, gardes et plaques de protection sont serrés et bien en place.

Repérer toutes les commandes et les étiquettes de sécurité. Inspectez le cordon pour déceler les dommages avant utilisation. Il y a un risque de choc électrique de l'écrasement, de la coupure ou du dommage par la chaleur.

Oter tous les éléments d'emballage appliqués sur l'appareil de chauffage pour son transport. Enlever tous les articles du carton. Vérifier que les articles n'ont pas été endommagés pendant le transport. Si l'appareil de chauffage est endommagé, il faut rapidement informer le concessionnaire où vous avez acheté l'appareil de chauffage.

FAIRE L'ENTRETIEN DE L'APPAREIL DE CHAUFFAGE EN TOUTE SÉCURITÉ

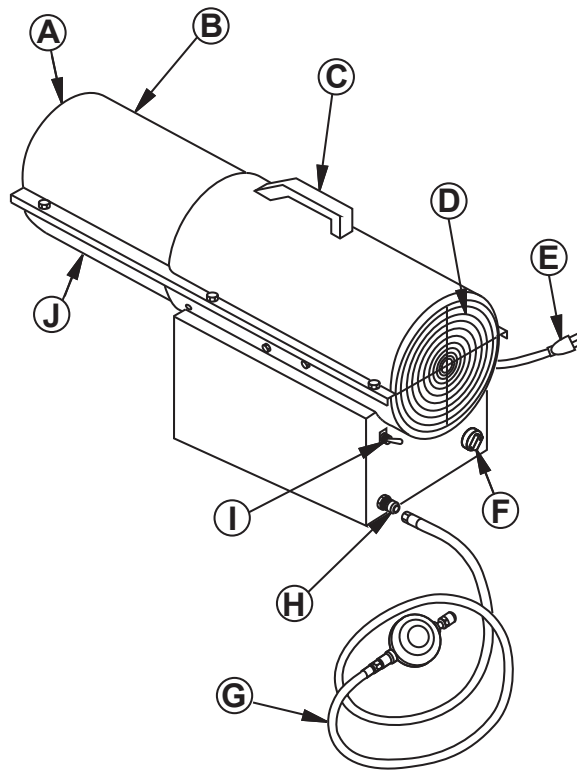
Avant d'entretenir l'appareil de chauffage, mettre l'appareil à l'arrêt et permettre à l'appareil de refroidir.
Faire l'entretien de l'appareil de chauffage dans un endroit propre, sec et plat.

Faire l'entretien du de l'appareil de chauffage dans un endroit propre, sec et plat.

Commandes

COMMANDES

AC-155LP



A -- Sortie d'air chaud (Avant)
B -- Partie supérieure de la coque
C -- Poignée

D -- Grille de protection du ventilateur
E -- Cordon d'alimentation
F -- Bouton De Thermostat

G -- Assemblage du tuyau/détendeur
H -- Raccord de la prise d'air
I -- Commutateur "Marche/Arrêt"
J -- Partie inférieure de la coque

Préparation

VENTILATION

AVERTISSEMENT: RESPECTER LES NORMES MINIMALES DE VENTILATION DES LOCAUX. SI UNE VENTILATION ADÉQUATE PAR APPORT D’AIR FRAIS EXTÉRIEUR N’EST PAS ASSURÉE, UNE INTOXICATION À L’OXYDE DE CARBONE EST POSSIBLE. CET APPORT D’AIR FRAIS DOIT AUSSI ÊTRE ASSURÉ AVANT MÊME LE DÉMARRAGE DE L’APPAREIL DE CHAUFFAGE.

Prévoir une ouverture d’air frais d’au moins 0,28 m² (3 pieds²) pour chaque 100,000 Btu/Heure de puissance. Fournir davantage d’air frais si plus d’un appareil de chauffage est utilisé.

ALIMENTATION EN PROPANE

Le gaz Propane/GPL et le/les réservoir(s) de Propane/GPL doivent être fournis par l’utilisateur.

Ne se servir de cet appareil de chauffage qu’avec un système d’alimentation de Propane qui assure un soutirage de vapeur. Voir Chapitre 5 de *La Norme pour l’Entreposage et la Manipulation du Gaz de Pétrole Liquéfié, ANSI/NFPA 58 et le Code d’Installation de Propane, CAN/CGA B149.2*. Votre bibliothèque locale ou les responsables locaux de la sécurité incendie auront cette brochure.

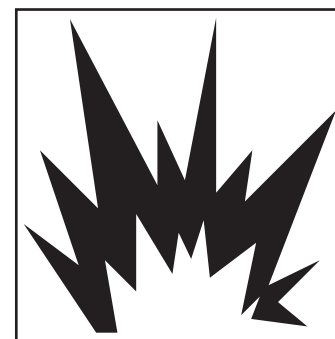
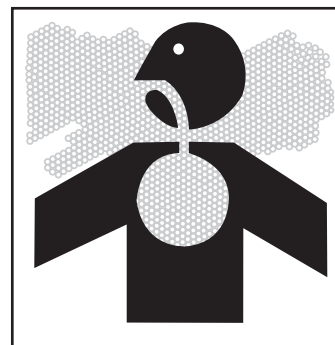
Le débit de gaz disponible en sortie du réservoir est variable. Il dépend de deux facteurs:

1. La quantité de gaz Propane/GPL dans le/les réservoir(s)
2. La température du/des réservoir(s.)

Le tableau ci-dessous montre le nombre de réservoirs de 100 livres (45 kg) nécessaires pour faire fonctionner cet appareil de chauffage. Des réservoirs plus petits peuvent être utilisés pour une utilisation de courte durée mais il est conseillé de se servir de grands réservoirs pour une performance optimale.

| Température au réservoir | Nombres de réservoirs de 100 livres (45 kg) |
|----------------------------------|---|
| 32°F (0°C) to 20°F (-6.7°C) | 2 |
| 20°F (-6.7°C) to -10°F (-23.3°C) | 3 |
| En dessous de -10°F (-23.3°C) | (Se servir d’un réservoir plus grand) |

Moins de gaz est vaporisé à des températures plus basses. Vous aurez peut être besoin de deux ou plus réservoirs de 100 livres (45 kg) ou d’un réservoir plus grand lors de températures très froides. Votre fournisseur local de gaz Propane/GPL vous aidera à sélectionner le bon système d’alimentation. Les appareils de chauffage sont certifiés pour fonctionner jusqu’à une température ambiante minimum de -20° F (-29° C).



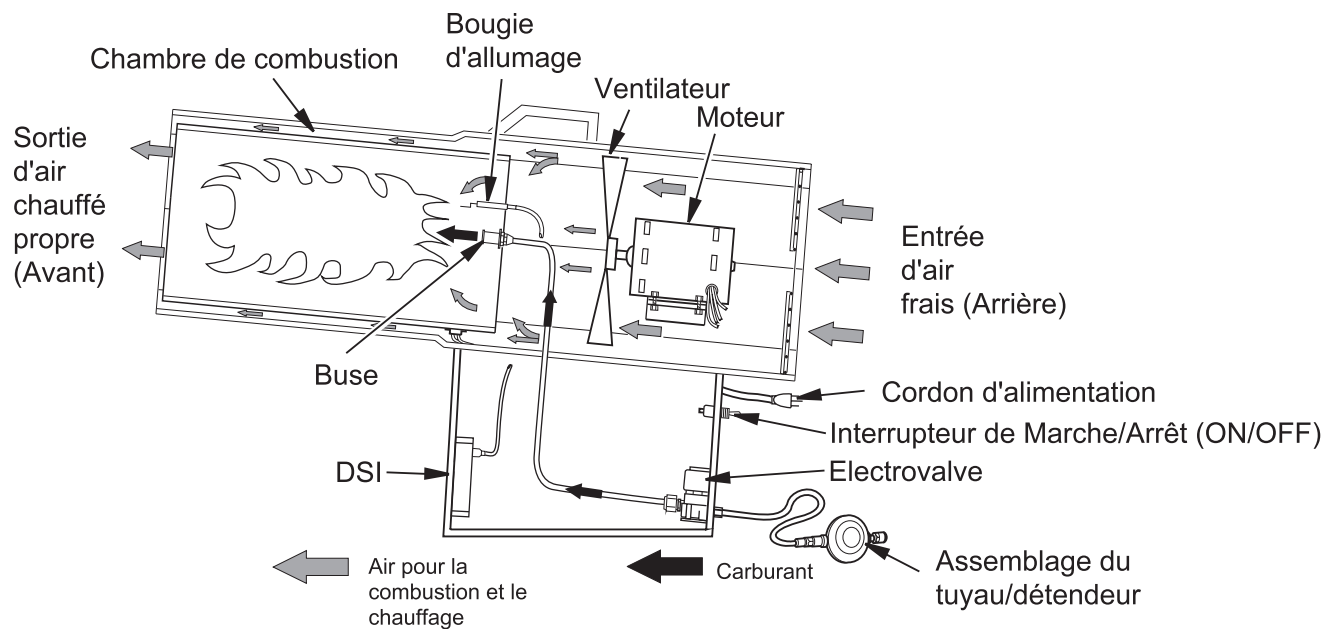
THÉORIE DE FONCTIONNEMENT

Système d'alimentation en carburant: L'assemblage du tuyau/détendeur est relié à l'alimentation de gaz Propane/GPL. Le gaz Propane/GPL se déplace à travers le électrovalve et sort par la buse.

Le système d'admission d'air: Le moteur fait tourner le ventilateur. Le ventilateur pousse l'air à l'intérieur et autour de la chambre de combustion. L'air est chauffé et fournit un courant d'air propre et chaud.

Le système d'allumage: L'allumeur d'étincelles directes (DSI) envoie de la tension à la bougie/allumeur. La bougie/allumeur enflamme le mélange de carburant et d'air.

Le système de contrôle de sécurité: Ce système provoque l'arrêt de l'appareil de chauffage en cas d'extinction de la flamme.



Installation

INSTALLATION

IMPORTANT: Revoir et comprendre les avertissements de la partie Information de Sécurité. Ils sont requis pour faire fonctionner cet appareil de chauffage sans danger. Se conformer à tous les règlements et codes locaux lors de l'utilisation de cet appareil de chauffage.

AVERTISSEMENT : TESTER TOUTE LA TUYAUTERIE ET TOUS LES RACCORDS AFIN DE S'ASSURER QU'IL N'Y A AUCUNE FUITE APRÈS L'INSTALLATION OU L'ENTRETIEN. NE JAMAIS SE SERVIR D'UNE FLAMME NUE POUR TROUVER UNE FUITE. APPLIQUER UN MÉLANGE D'EAU ET DE SAVON LIQUIDE À TOUS LES JOINTS. L'APPARITION DE BULLES INDIQUE UNE FUITE. RECTIFIER TOUTES LES FUITES IMMÉDIATEMENT.

1. Fournir le système d'alimentation en propane (voir Alimentation en Propane).
2. Raccorder l'ajustage POL de l'assemblage du tuyau/détendeur au/aux réservoir(s) de Propane/GPL. (Fig. 1) Tourner l'ajustage POL dans le sens inverse des aiguilles d'une montre sur le filetage du réservoir. Serrer solidement en utilisant une clé. Serrer le détendeur en s'assurant que la bouche d'aération pointe vers le bas.

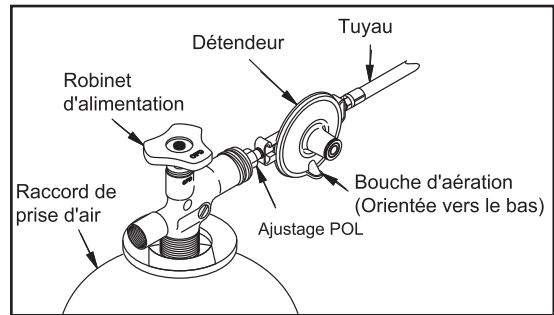
3. Raccorder le tuyau au raccord de la prise d'air. Serrer solidement en utilisant une clé. (Fig. 2)

IMPORTANT: De la tuyauterie ou du tuyau supplémentaire peuvent être utilisés si nécessaire. Installer le tuyau ou la tuyauterie supplémentaire entre l'assemblage du tuyau/détendeur et le réservoir de Propane/GPL. Vous devez vous servir du détendeur fourni avec l'appareil de chauffage.

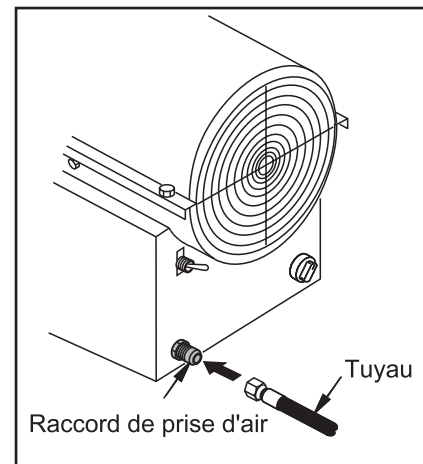
4. Ouvrir lentement le robinet d'alimentation de propane du/des réservoir(s) de Propane/GPL.

Note: Si le robinet d'alimentation n'est pas ouvert lentement, le clapet d'excès de débit du réservoir de Propane/GPL coupera l'alimentation en gaz. En ce cas, fermer le robinet d'alimentation de Propane et le rouvrir lentement.

5. Vérifier tous les raccords afin de s'assurer qu'il n'y a pas de fuites.
6. Fermer le robinet d'alimentation de Propane.



(Fig. 1)



(Fig. 2)

Fonctionnement

AVERTISSEMENT: RESPECTER LES NORMES MINIMALES DE VENTILATION DES LOCAUX. SI UNE VENTILATION ADÉQUATE PAR APPORT D'AIR FRAIS EXTÉRIEUR N'EST PAS ASSURÉE, UNE INTOXICATION À L'OXYDE DE CARBONE EST POSSIBLE. CET APPORT D'AIR FRAIS DOIT AUSSI ÊTRE ASSURÉ AVANT MÊME LE DÉ MARRAGE DE L'APPAREIL DE CHAUFFAGE.

POUR DÉMARRER L'APPAREIL DE CHAUFFAGE:

1. Respecter toutes les consignes de ventilation et de sécurité.
2. Placer l'appareil de chauffage de façon à fournir une circulation d'air chaud maximale. Suivre toutes les exigences d'emplacement précisées sous la rubrique d'Information de Sécurité.

Fonctionnement

FONCTIONNEMENT

- Placer l'appareil de chauffage sur une surface stable et plane. S'assurer que des courants d'air forts ne soufflent pas dans l'avant ou l'arrière de l'appareil de chauffage.
- Brancher le cordon d'alimentation de l'appareil de chauffage dans une rallonge électrique trifilaire avec mise à la terre. La rallonge électrique doit mesurer au moins 1,80 m (6 pieds), être de classe UL et d'une section suffisante. Voir le tableau de rallonge électrique.
- Brancher la rallonge électrique dans une prise de courant à trois branches de 120 volts/60 hertz avec mise à la terre.
- Ouvrir lentement le robinet d'alimentation en propane du/des réservoir(s) de propane/GPL.

| Exigences des dimensions de rallonge électrique | |
|---|-----------------------------|
| Longueur rallonge: | Calibre AWG de la rallonge: |
| Jusqu'à 50 pieds (15 m) | 18 AWG |
| 51 to 100 pieds (15.5 à 30.48 m) | 16 AWG |
| 101 to 200 pieds (30.78 à 60.96 m) | 14 AWG |

Note: Si le robinet d'alimentation n'est pas ouvert lentement, le clapet d'excès de débit sur le réservoir de propane/GPL coupera l'alimentation en gaz. Vous entendrez peut être un dé clic provenant du clapet d'excès de débit qui se ferme. En ce cas, réenclencher le clapet d'excès de débit en fermant le robinet d'alimentation en propane/GPL et le rouvrir lentement.

- Tourner complètement le bouton de commande du thermostat dans le sens inverse des aiguilles d'une montre jusqu'à la position "plus frais" (cooler). Tourner l'interrupteur de marche/arrêt (ON/OFF) à la position de MARCHE (ON). Tourner lentement le bouton de commande du thermostat dans le sens des aiguilles d'une montre jusqu'à ce que le moteur électrique et le ventilateur se mettent à marcher. L'appareil de chauffage démarrera en environ 3 secondes. Tourner le bouton de commande du thermostat pour sélectionner une température plus chaude ou plus froide selon le besoin.

Note : Si l'appareil de chauffage n'a pas démarré après 3 secondes, la commande d'allumage fera automatiquement une autre tentative de démarrage. Si celle-ci échoue, le dispositif de commande de sécurité se verrouillera et empêchera toute autre tentative de démarrage automatique. Ceci peut se produire s'il y a de l'air dans la conduite de gaz. Si l'appareil de chauffage n'arrive pas à démarrer lors de cet essai, tourner l'interrupteur de marche/arrêt (ON/OFF) jusqu'à la position d'arrêt (OFF.) Attendre 10 secondes afin que le dispositif de commande de sécurité se réarme, puis tourner de nouveau l'interrupteur de marche/arrêt (ON/OFF) jusqu'à la position de MARCHE (ON) et essayer de nouveau à démarrer l'appareil de chauffage.

- Fonctionnement avec thermostat seulement :** En fonctionnement normal régulé avec thermostat, l'appareil de chauffage s'arrête lorsque la température ambiante atteint la position de réglage du thermostat. Lorsque la température ambiante tombe suffisamment sous la position de réglage du thermostat, le moteur électrique et le ventilateur se mettent en route. Après 15 à 60 secondes, le brûleur de l'appareil de chauffage devrait automatiquement s'allumer et fournir de la chaleur pour maintenir la température de consigne.

POUR ARRÊTER L'APPAREIL DE CHAUFFAGE :

- Bien fermer le robinet d'alimentation en propane du/des réservoir(s) de Propane/GPL.
- Attendre quelques secondes. L'appareil de chauffage va brûler le gaz qui reste dans les tuyaux d'alimentation.
- Tourner l'interrupteur de Marche/Arrêt (ON/OFF) à la position d'arrêt (OFF).
- Débrancher l'appareil de chauffage.

Dépannage



AVERTISSEMENT : HAUTE TENSION. NE JAMAIS FAIRE L'ENTRETIEN DE L'APPAREIL DE CHAUFFAGE PENDANT QU'IL EST BRANCHÉ, EN MARCHÉ OU CHAUD. DES BRÛLURES GRAVES ET DES DÉCHARGES ÉLECTRIQUES POURRAIENT EN RÉSULTER.

| Symptôme | Problème | Solution |
|--|--|---|
| Le ventilateur ne tourne pas quand l'appareil de chauffage est branché. | Pas de courant se rendant à l'appareil de chauffage | Vérifier que la prise électrique émet du courant. Si la tension est bonne, vérifier que le cordon d'alimentation de l'appareil de chauffage n'a pas de coupures. |
| | Le ventilateur frappe l'intérieur de la coque de l'appareil de chauffage. | Régler le support du moteur/ventilateur pour éviter que le ventilateur frappe l'intérieur de la coque de l'appareil de chauffage. |
| | Les pales du ventilateur sont tordues. | Remplacer le ventilateur. |
| | Moteur défectueux. | Remplacer le moteur. |
| L'appareil de chauffage ne s'allume pas. | L'utilisateur n'a pas bien suivi les consignes d'installation ou de fonctionnement. | Répéter les consignes d'installation et de fonctionnement. |
| | Pas d'étincelle au niveau de l'allumeur. Pour voir si des étincelles sont présentes, voir la rubrique "Entretien: Allumeur" et suivre l'étape 8. Si une étincelle est présente au niveau de l'allumeur, faire entretenir l'appareil de chauffage par une personne qualifiée. Si aucune étincelle n'est présente: | |
| | a. Fil d'allumage desserré ou débranché. | a. Examiner le fil d'allumage. Resserrer ou rattacher le fil d'allumage desserré. Voir "Entretien: Transformateur d'allumage" pour l'emplacement du fil d'allumage. |
| | b. Mauvais écartement des pointes. | b. Régler l'écartement entre l'électrode de l'allumeur et la buse à .13"/.15" (3.3/3.8 mm.) |
| | c. Electrode de l'allumeur défectueux. | c. Remplacer l'électrode de l'allumeur. Voir "Entretien: Allumeur." |
| d. Transformateur d'allumage défectueux. | d. Remplacer le transformateur d'allumage. Voir "Entretien: Transformateur d'allumage." | |



AVERTISSEMENT : HAUTE TENSION. NE JAMAIS FAIRE L'ENTRETIEN DE L'APPAREIL DE CHAUFFAGE PENDANT QU'IL EST BRANCHÉ, EN MARCHÉ OU CHAUD. DES BRÛLURES GRAVES ET DES DÉCHARGES ÉLECTRIQUES POURRAIENT EN RÉSULTER.

| Symptôme | Problème | Solution |
|---|---|---|
| L'appareil de chauffage s'arrête lors du fonctionnement | L'alimentation en Propane/GPL est insuffisante. | a. Remplir le réservoir. b. Utiliser des réservoirs supplémentaires et/ou plus grands. Voir "Préparation: Alimentation en Propane." |
| | Le thermocouple limiteur arrête l'appareil de chauffage en cas de température ambiante élevée. | Ceci peut arriver quand l'appareil de chauffage fonctionne dans des températures plus élevées que 85° F (30° C). Utiliser l'appareil de chauffage dans des températures plus basses. |
| | Débit d'air limité. | Vérifier l'entrée et la sortie de l'appareil de chauffage. Retirer toutes obstructions. |
| | Ventilateur endommagé. | Remplacer le ventilateur. Voir "Entretien: Ventilateur." |
| | Poussière et débris excessifs dans la zone environnante. | Nettoyer l'appareil de chauffage. Voir "Entretien." |
| L'appareil de chauffage émet une odeur. | ⚠ AVERTISSEMENT: N'utiliser que dans des endroits libres de haute concentration de poussière. | |
| | Fuite de gaz. | Inspecter tous les raccords à la recherche de fuites. Appliquer un mélange d'eau et de savon liquide aux raccords de gaz. L'apparition de bulles indique une fuite qui doit être réparée. |
| | L'appareil de chauffage fonctionne avec un réservoir de Propane/GPL de 20 livres (9 kg). Une quantité de gaz Propane/GPL insuffisante sera fournie par un réservoir de 9 kg (20 livres) résultant en une odeur. | Pour obtenir un mélange correct de gaz Propane/GPL et d'air, utiliser un réservoir plus gros, c-à-d de 45 kg (100 lbs.) Voir "Préparation: Alimentation en Propane." |
| | Le réservoir d'alimentation en Propane/GPL "gèle". La consommation de propane et son taux d'évaporation sont trop importants pour la taille du réservoir et la température ambiante. | Utiliser un réservoir d'alimentation plus gros, c-à-d de 45 kg (100 lbs). |

Entretien

ENTRETIEN:



AVERTISSEMENT : AFIN D'ÉVITER LES RISQUES DE BRÛLURES ET DE DÉCHARGES ÉLECTRIQUES, NE JAMAIS TENTER DE FAIRE L'ENTRETIEN DE L'APPAREIL DE CHAUFFAGE PENDANT QU'IL EST BRANCHÉ, EN MARCHÉ OU CHAUD.

S'ASSURER QUE LA ZONE OÙ SE TROUVE L'APPAREIL DE CHAUFFAGE EST LIBRE DE TOUTE SUBSTANCE COMBUSTIBLE, D'ESSENCE ET D'AUTRES LIQUIDES ET VAPEURS INFLAMMABLES.

NE PAS BLOQUER LA CIRCULATION DES PRODUITS DE COMBUSTION OU LA VENTILATION D'AIR.

1. L'appareil de chauffage doit rester propre. Nettoyer l'appareil de chauffage annuellement ou au besoin pour enlever la poussière et les débris. Si l'appareil de chauffage est sale ou poussiéreux, le nettoyer avec un chiffon humide. Utiliser un produit de nettoyage ménager sur les endroits difficiles.
2. Inspecter l'appareil de chauffage avant chaque utilisation. Vérifier tous les raccords afin de s'assurer qu'il n'y a pas de fuites. Appliquer un mélange d'eau et de savon liquide aux raccords. L'apparition de bulles indique une fuite. Réparer toutes les fuites immédiatement.
3. Inspecter l'assemblage du tuyau/détendeur avant chaque utilisation. Si le tuyau est très usé ou entaillé, le remplacer par un tuyau spécifié par le fabricant.
4. Faire inspecter l'appareil de chauffage annuellement par un centre de service qualifié.
5. S'assurer que l'intérieur de l'appareil de chauffage ne contient aucune substance combustible et aucun corps étranger. Enlever le moteur et autres composants internes si nécessaire pour nettoyer l'intérieur de l'appareil de chauffage.
6. Nettoyer les pales du ventilateur chaque saison ou au besoin.



AVERTISSEMENT : NE JAMAIS FAIRE L'ENTRETIEN DE L'APPAREIL DE CHAUFFAGE PENDANT QU'IL EST BRANCHÉ, CONNECTÉ À L'ALIMENTATION EN PROPANE/GPL, EN MARCHÉ OU CHAUD. DES BRÛLURES GRAVES ET DES DÉCHARGES ÉLECTRIQUES POURRAIENT EN RÉSULTER.

ENTRETIEN (SUITE)**RETRAIT DE LA PARTIE SUPÉRIEURE DE LA COQUE:**

1. Retirer les vis le long de chaque côté de l'appareil de chauffage à l'aide d'un tourne-écrou de 5/16 pouces. Ces vis raccordent les parties supérieures et inférieures de la coque. (Fig. 3)
2. Soulever ou faire glisser la partie supérieure de la coque.
3. Retirer la grille de protection du ventilateur.

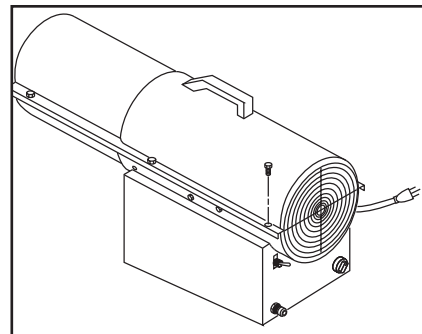
VENTILATEUR :

IMPORTANT : Retirer le ventilateur de l'arbre moteur avant de retirer le moteur de l'appareil de chauffage. Le poids du moteur reposant sur le ventilateur pourrait endommager l'angle des pales du ventilateur.

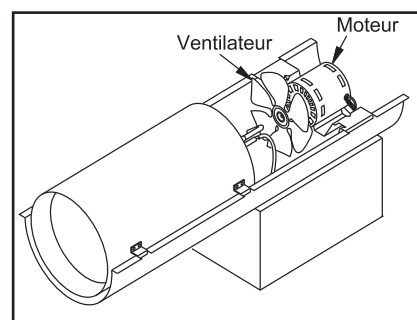
1. Retirer la partie supérieure de la coque.
2. Utiliser une clé Allen de 1/8 pouces pour desserrer la vis de fixation qui retient le ventilateur à l'arbre du moteur.
3. Faire glisser le ventilateur pour le libérer de l'arbre du moteur. (Fig. 4 & 5)
4. Nettoyer le ventilateur à l'aide d'un linge doux légèrement mouillé avec du kérosène ou du solvant.
5. Sécher le ventilateur complètement.
6. Replacer le ventilateur sur l'arbre du moteur. S'assurer que l'embout de la vis de fixation est bien en contact avec la partie plate de l'arbre du moteur (Fig. 6).
7. Placer la vis de fixation sur la partie plate de l'arbre. Serrer la vis de fixation solidement (40-50 pouce-livres / 46.08-57.60 kilos-centimètres).
8. Remettre en place la grille de protection du ventilateur et la partie supérieure de la coque.

ALLUMEUR

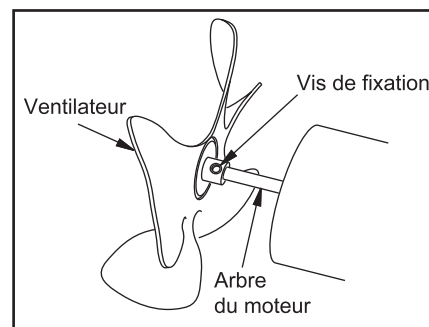
S'assurer que l'écartement entre l'électrode de la bougie d'allumage et le bec du brûleur est de 3.3/3.8mm (0.13/0.15 pouces.) Accéder à l'électrode de la bougie d'allumage par l'intérieur de la chambre de combustion. Aucun autre entretien n'est nécessaire pour la bougie d'allumage.



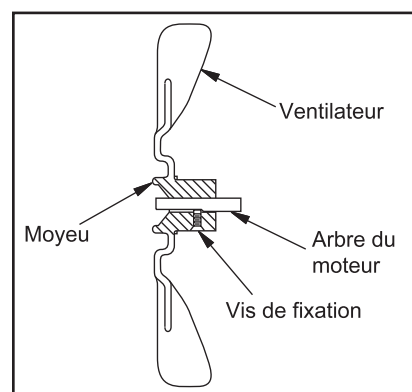
(Fig. 3)



(Fig. 4)



(Fig. 5)



(Fig. 6)

Entreposage



**ATTENTION: DÉBRANCHER L'APPAREIL DE
CHAUFFAGE DU/DES RÉSERVOIR(S)
D'ALIMENTATION EN PROPANE/GPL.**

1. Entreposer le/les réservoir(s) de Propane/GPL d'une façon sûre. Consulter le Chapitre 5 de La Norme pour l'Entreposage et la Manipulation du Gaz de Pétrole Liquéfié, ANSI/NFPA 58 et le Code d'Installation de Propane, CAN/CGA B149.2. Respecter tous les codes locaux. Entreposer toujours les réservoirs de Propane/GPL à l'extérieur.
2. Placer des capuchons protecteurs en plastique sur les raccords en laiton du raccord de la prise d'air et de l'assemblage du tuyau/détendeur.
3. Entreposer dans un endroit sec, propre et sûr. Ne pas entreposer l'assemblage du tuyau/détendeur dans la chambre de combustion de l'appareil de chauffage.
4. Vérifier toujours l'intérieur de l'appareil de chauffage après l'avoir entreposé. Il se peut que des insectes et petits animaux aient déposé des corps étrangers dans l'appareil de chauffage. S'assurer que l'intérieur de l'appareil de chauffage reste libre de tout combustible et corps étrangers.

Caractéristiques

| ARTICLE | SPECIFICATION |
|---|---|
| Taille du modèle | AC-155LP |
| Puissance de sortie (BTU/Heure) | 150,000 |
| Combustible | Propane Vaporisé Seulement |
| Consommation de combustible (gallons par heure/Litres par heure) (livres par heure/Kilogrammes par heure) | 1.6 / 6.1 7.0 / 3.2 |
| Pression d'alimentation du détendeur Minimum (pour le réglage de la pression d'admission) Maximum | 10 PSI / 65.98 kPa Pression du réservoir |
| Pression de sortie du détendeur | Programmé en usine @ 12.5" WC / 31.8 cm |
| Pression du collecteur | 9.8" WC / 24.9 cm |
| Sortie d'air chaud (approx.) | 550 CFM / 15.6 mètre cube/minute |
| Régime du moteur (tour/minute) | 3450 |
| Puissance du moteur (HP) | 1/8 |
| Alimentation électrique | 120V / 60Hz |
| Ampérage (fonctionnement normal) | 2.2 |
| Allumage | Etincelle Electronique Directe, D.S.I. |
| Ecartement de l'allumeur | 0.13 in / 0.15 in (3.3 mm / 3.8 mm) |
| Poids d'expédition (approximatif en livres/kilos) | 35 / 15.9 |
| Poids de l'appareil de chauffage (approximatif en livres/kilos) | 27 / 12.2 |

NOTER LE NUMÉRO DE SÉRIE

Noter ci-dessous le numéro de modèle ainsi que le numéro de série et la date d'achat de votre appareil. Votre concessionnaire a besoin de ces renseignements lors des commandes de pièces

Numéro de modèle _____

Numéro de série _____

Date d'achat _____
(À remplir par l'acheteur)

Schéma de câblage

Diagramme d'échelle électrique

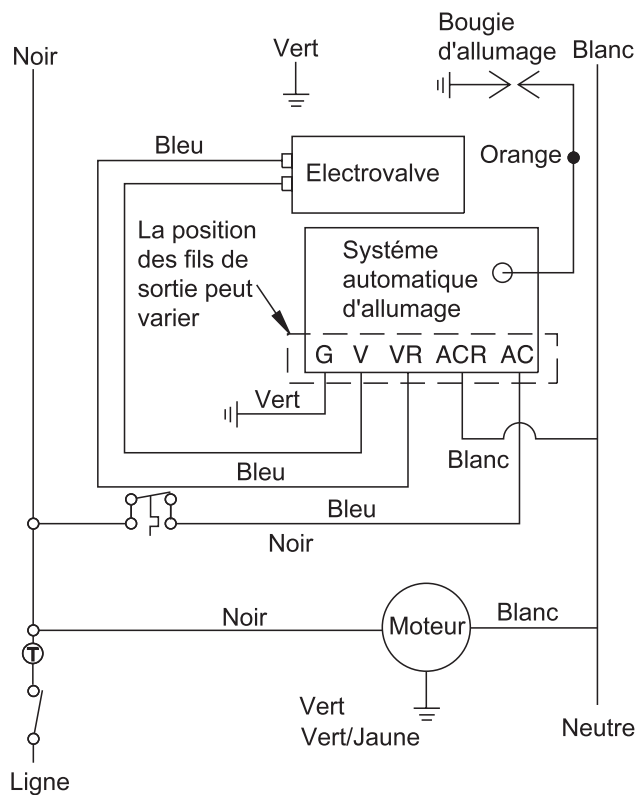
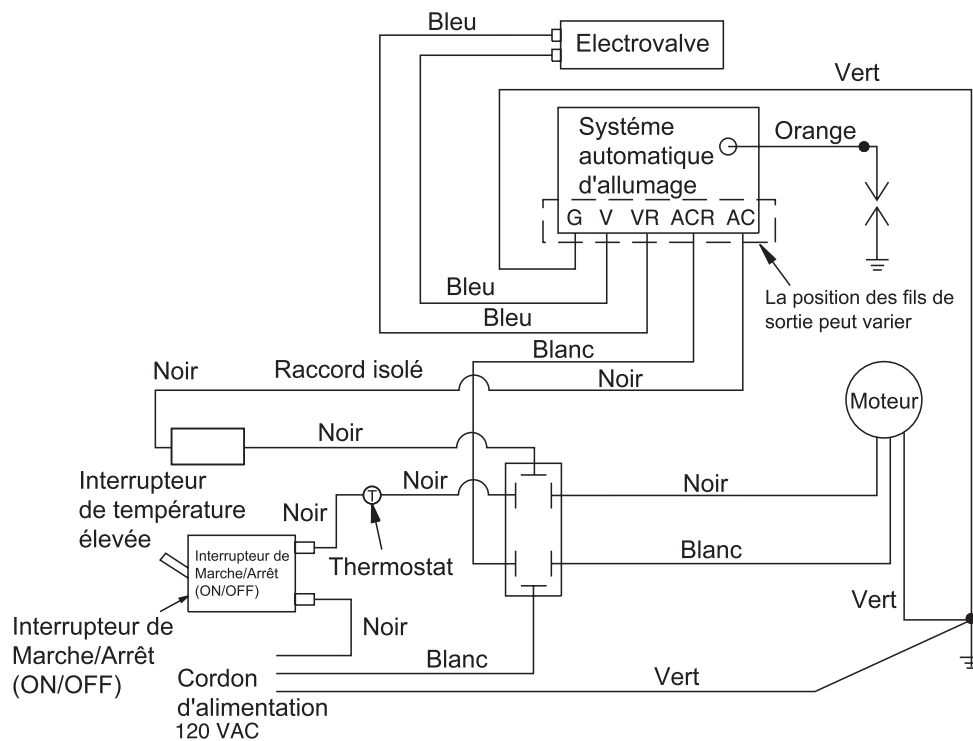


Diagramme des connexions électriques



CONDITIONS DE LA GARANTIE

John Deere garantit toutes les pièces (à l'exception de celles stipulées ci-dessous), de votre nouveau appareil de chauffage sans carburant en cas de défauts de matériaux et de fabrication pendant les périodes suivantes:

Pendant un (1) année à partir de la date d'achat initiale.

Les pièces défectueuses ne résultant pas d'une usure normale seront réparées ou remplacées à notre choix pendant la période de garantie. Quoi qu'il arrive, le remboursement est limité au prix d'achat.

PIECES EXCLUES DE LA GARANTIE

1. Cette garantie ne couvre pas les pièces endommagées par l'usure normale, une mauvaise utilisation, une utilisation abusive ou un fonctionnement autre que recommandé. La garantie ne couvre pas les dégâts provoqués par un mauvais suivi des procédures de fonctionnement et d'entretien .
2. L'utilisation de pièces de réparation autres que celles d'origine annule la garantie.
3. La garantie sera annulée si l'appareil est utilisé pour tout autre usage que consommateur/propriétaire. Les pièces renvoyées en port payé, à notre usine ou à un centre de réparation John Deere agréé seront inspectées et remplacées gratuitement si elles s'avèrent être défectueuses et couvertes par la garantie. Il n'existe aucune garantie prolongeant les dates d'expiration stipulées ci-dessus. Le fabricant n'est en aucun cas responsable des pertes d'usage, de temps ou de location, des dérangements causés, des pertes commerciales ou des dommages qui en résultent.

Pour toute question de service ou de garantie, s'adresser à
Mi-T-M Corporation, 8650 Enterprise Drive, Peosta, IA 52068-0050
Tél.: JD-KLEEN (1-877-535-5336) Fax 563-556-1235
Du lundi au vendredi de 8h00 à 17h00, heure centrale

A large empty rectangular box with a black border, intended for a note or comment.

A large empty rectangular box with a black border, intended for a note or comment.

Introducción

Gracias por comprando este John Deere producto.

Lea este manual con cuidado para aprender como operar y heacerie servicao su máquina correcto. Falla resultaría en lesiones personales o daño a equipo. Este el manual y muestras de seguridad en su máquina pueden también estar disponibles en otras idiomas. (véase a su distribuidor de John Deere para ordenar)

Este manual debe considerar una parte permanente de su máquina y debe quedar con máquina cuando venderla.

Medidas en este manual se dan en sistema métrico y en equivalentes de unidades de Estado Unidos. Use sólo partes y cierres de reemplazar correctos. Cierres métricos y pulgadas necesitarian un tirón especial de métrico o pulgada.



ADVERTENCIAS DE SEGURIDAD:

LEA ESTE MANUAL DEL PROPIETARIO CUIDADOSA Y COMPLETAMENTE ANTES DE INTENTAR ENSAMBLAR, OPERAR O DAR SERVICIO A ESTE CALENTADOR. EL USO INADECUADO DE ESTE CALENTADOR PUEDE CAUSAR LESIONES GRAVES O LA MUERTE POR QUEMADURAS, INCENDIO, EXPLOSIÓN, ELECTROCUCIÓN E INTOXICACIÓN CON MONÓXIDO DE CARBONO.

ASEGÚRESE DE LEER Y COMPRENDER TODAS LAS ADVERTENCIAS. CONSERVE ESTE MANUAL PARA REFERENCIA. ES SU GUÍA PARA UN FUNCIONAMIENTO SEGURO Y CORRECTO DE ESTE CALENTADOR.



ADVERTENCIA: INCENDIO, QUEMADURA, INHALACION, Y RIESGO DE EXPLOSION. MANTENGA COMBUSTIBLES SOLIDOS COMO MATERIAS DE CONSTRUIR, PAPEL O CARTON, UNA DISTANCIA SEGURA AFUERA DE CALENTADOR COMO RECOMIENDE DE INSTRUCCIONES. NUNCA USE CALENTADOR EN SPACIOS QUE TIENEN O PUEDEN TENER COMBUSTIBLES O PRODUCTOS VOLATILES O AIREADOS COMO GASOLINA, SOLVENTOS REBAJADOR DE PINTA, ESCOMBOS, QUIMICAS DESCONOCIDOS.



ADVERTENCIA: NO USES PARA CASA O VEHICULO DE RECREO.

El número de serie está situada en sección de especificaciones o números de identificación. Escriba correcta todos números para ayndaría en encontrar la máquina si sea robado. Su concesionario también necesite estos números cuando ordenaría partes. Ponga números de identificación en lugar seguro atuera de máquina.

Garantía provece de concesionario John Deere para quien opere y mantenga su equipo como descrito en este manual. Este manual está explicado en certificado de garantía que se vea en este manual.

Esta garantía provece la seguridad que su concesionario John Deere daría garantía de productos donde defectos aparecen durante tiempo de garantía. Debe abusar al equipo o cambios para modificar la función atrás de especificaciones de fabrica la garantía será vacío.

Este calentador sea diseño para uso en acuerdo con ANSI-283./CGA2.14. Otros estandares gobierna el uso de gases de combustible y productos de calentar para usos específicos. Su administración local puede le avisar sobre estos. Los propósitos primeros de calentadores de construcción es para provecer calor temporal de edificios que están en construcción, alteracción, o reparamiento. Si uso correcto, el calentador provece calor seguro y economico. Los productos de la combustión se descarga en el área para sea calentado.

Nosotros no podemos prever cada uso que puede estar hecho de nuestros calentadores. **HABLE CON SU ADMINISTRACION LOCAL DE SEGURIDAD DE FUEGO SI TIENE PREGUNTAS DEL USO DE CALENTADOR.**

Otros estandares gobierna el uso de gases de combustible y productos de calentar para usos específicos. Su administración local puede le avisar sobre estos.

El gas de propano es inodoro. Un agente que hace olor agrega a gas de propano. El olor le ayuda detectar un agujero de gas de propano. Sin embargo, el olor que agregó a propano puede apagarse. El gas propano puede estar presente aunque no existe el olor.

Instale y use calentador con cuidado. Siga todas ordenanzas y los códigos locales. En ausencia de ordenanzas y códigos locales, refiérase al Estandar para Almacenamiento y Manejo de Gases licuados del petróleo, ANASI/NFPA 58 y Código de Instalación de Propano, CAN/CGA B149.2. Este enseña en almacenamiento y manejo seguro de gases de propano.



ADVERTENCIA

Este producto contiene y/o genera químicos que el Estado de California reconoce que causan cáncer, defectos de nacimiento u otros daños relacionados con la reproducción.

Materias

| | Página |
|------------------------------|--------|
| Seguridad | 44 |
| Mandos | 51 |
| Preparando | 52 |
| Instalación | 54 |
| Operación | 54 |
| Localización de fallas | 56 |
| Servicio | 58 |
| Almacenamiento | 60 |
| Especificaciones | 61 |
| Diagrama de Alambre | 62 |
| Garantía | 63 |

Toda información, ilustraciones, y especificaciones en este manual se basa en información lo último que disponible al tiempo de publicación. Se reserva el dercho de efectuar cambios sin previo aviso.

Seguridad

RECONOZCA INFORMACIÓN DE SEGURIDAD

Este es el símbolo de alerta de seguridad. Cuando mire este símbolo en la máquina o manual, sea alerta de posibilidad o potencia de graves personales.

Siga precauciones recomendables y prácticas de operación.



COMPRENDA PALABRAS DE ALERTAS

Una palabra de alerta -- Peligro, Advertencia, Precaución -- se usa con el símbolo de alerta de seguridad. Peligro indica la situación más seria.

Señales de seguridad como PELIGRO y ADVERTENCIA está situada cerca de riesgos específicos. Precauciones generales están en una lista en las señales de seguridad precaución a mensajes de seguridad en este manual.

 **PELIGRO**

 **ADVERTENCIA**

 **PRECAUCION**

SIGA LAS INSTRUCCIONES DE SEGURIDAD

Lea con cuidado todos mensajes de seguridad en este manual y en las señales de seguridad en máquina. Mantengase señales de seguridad en condición bueno. Reemplace desaparecidos o señales de seguridad con daño. Asegurese que componentes nuevos de equipo y partes de reparación incluir las señales de seguridad último. Señales de seguridad para reemplace son disponibles de su concesario.

Lea este manual del propietario cuidadosa y completamente antes de intentar ensamblar, operar o dar servicio a este calentador. El uso inadecuado de este calentador puede causar lesiones graves o la muerte por quemaduras, incendio, explosión, electrocución e intoxicación con monóxido de carbono.

Asegúrese de leer y comprender todas las advertencias. Conserve este manual para referencia. Es su guía para un funcionamiento seguro y correcto de este calentador.

Aprenda como operar la máquina y como usar los mandos correcta. No permita nadie para operar sin instrucciones.





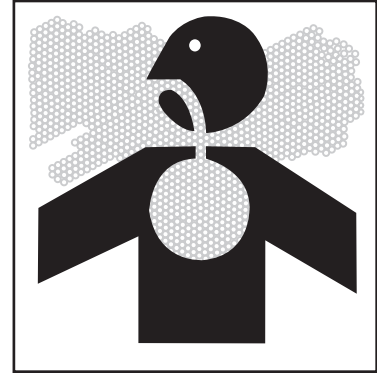
MONÓXIDO DE CARBONO- GAS VENENOSO



PELIGRO: ¡LA INTOXICACIÓN CON MONÓXIDO DE CARBONO PUEDE SER MORTAL!

Exhausto de calentador contiene monóxido de carbono- un gas venenoso que puede matarle. No puede oler o ver este gas.

Intoxicación con monóxido de carbono: los síntomas iniciales de la intoxicación con monóxido de carbono son semejantes a los de la gripe, con dolores de cabeza, mareos y/o náusea. Si usted presenta estos síntomas, es posible que el calentador no esté funcionando correctamente. ¡Respire aire fresco inmediatamente! Haga que reparen el calentador. El monóxido de carbono afecta más a algunas personas que a otras. Las más afectadas incluyen mujeres embarazadas, personas con enfermedades del corazón o de los pulmones o anemia, aquellas bajo la influencia del alcohol y aquellas a elevadas alturas.



Nunca use calentador en espacios cerrados o parcialmente cerrados sin apropiado ventilación. Úsese solamente en áreas bien ventiladas. Antes de usar el calentador, procure tener una abertura de cuando menos 2 800 cm² (3 pies²) para el aire fresco exterior por cada 30 kw (100 000 BTU/h) de servicio nominal. Calentadores puede producir niveles altos de monóxido de carbono muy rápido. Cuando use un calentador, recuerde que no puede oler o ver monóxido de carbono. Aunque si no pueda oler gases de exhausto, puede exponerle a monóxido de carbono.

Si empieza sentir enfermo, mareo, o débil cuando usando calentador, vaya adentro PRONTO. NO RETRASE. Monóxido de carbono de generadores puede llevar rápidamente a todo incapacitado y muerte.

Si tenga síntomas serios, tenga atención médica inmediatamente. Diga empleados médicos que sospechar de venenoso de monóxido de carbono. Si tenga síntomas mientras adentro diga alguien llamar el departamento de fuegos para determinar cuando seguro para entrar otra vez el edificio.

NUNCA opere calentador en atmósfera explosivo, cerca materias combustibles o donde ventilación no es suficiente para llevar gases de exhausto afuera. Gases de exhausto puede causar lesiones graves o muerte.

NUNCA use calentador adentro, incluyendo en casas, garajes, sótanos, espacios pequeños, y otras áreas cerradas o parcialmente cerradas, sin apropiado ventilación. Abriendo puertas y ventanas o usando ventiladores no prevenir acumulación de monóxido de carbono en casas. Úsese solamente en áreas bien ventiladas. Antes de usar el calentador, procure tener una abertura de cuando menos 2 800 cm² (3 pies²) para el aire fresco exterior por cada 30 kw (100 000 BTU/h) de servicio nominal.

Si usted comienza a sentirse enfermo, mareado, o débil mientras que usa el calentador del espacio, cerró si apagado y consigue el aire fresco ENSEGUIDA. Vea a doctor. Usted puede tener intoxicación con monóxido de carbono.

Instale alarmas de monóxido de carbono que operados de batería o alarmas de monóxido de carbono enchufadas con seguridad de batería en su casa según las instrucciones de instalación de fabricante. Las alarmas de monóxido de carbono deben tener certificación de requisitos de calidades de seguridad últimos para alarmas de monóxido de carbono. (UL 2034, IAS 6-96 o CSA 6.19.01).

Examine su alarma de monóxido de carbono frecuentemente y reemplace baterías muertas.



RIESGOS DE ELECTRICOS



PELIGRO-CONEXIÓN INCORRECTA DE EQUIPOCONDUCTOR DE TIERRA PUEDE RESULTAR EN RIESGO DE ELECTROCUCIÓN. HABLE CON UN ELECTRICISTA CALIFICADO O REPRESENTANTE DE SERVICIO SI TENGA DUDA SOBRE QUE LA UNIDAD TIENE LA TOMA A TIERRA CORRECTA.

Sólo use el voltaje y frecuencia eléctricos especificaron en el plato modelo. Las conexiones eléctricas y la toma a tierra de calentador seguirá el Código Eléctrico Nacional, ANSI/NFPA 70 o el Código Eléctrico Canadiense, Parte 1.

Calentadores de espacio tiene que toma a tierra. Use sólo un cordón de extensión con tres alambres que toma a tierra correcta. Tape entre salida de tierra sólo. Si debe fallar o la avería, toma a tierra provee de menos resistencia para la corriente eléctrica reducir el riesgo de descarga eléctrica.

El calentador de espacio es un suministro de descarga eléctrica si no mantenga seco. Mantenga el calentador seco y no use en condiciones mojadas o de lluvia. Para proteger de humedad, operelo en un superficie seco debajo de una estructura abierta como un dosel. Seque sus manos si son mojados antes de tocando el calentador de espacio.

Revise que todo el cordón es libre de cortes o roturas y que el tapón tiene tres puntas, especialmente un perno de toma a tierra.



INSTRUCCIONES IMPORTANTES DE SEGURIDAD

Asegúrese que leer y comprender todas advertencias. Mantenga este manual para referencia. Es su guía para operación seguro y correcto de este calentador.

1. Use solamente en áreas libres de vapores inflamables o de alto contenido de polvo.
2. Distancia mínima con respecto a los materiales combustibles: 2,44 m (8 pies) de la salida de aire caliente; 1,83 m (6 pies) de la parte superior; y 60,96 cm (2 pies) de los laterales y la entrada.
3. Sitúe el calentador en una superficie estable y nivelada si está caliente o en funcionamiento, de lo contrario puede ocurrir un incendio.
4. Úsese solamente en áreas bien ventiladas. Antes de usar el calentador, procure tener una abertura de cuando menos 2 800 cm² (3 pies²) para el aire fresco exterior por cada 30 kw (100 000 BTU/h) de servicio nominal.
5. Mantenga siempre a los niños y animales alejados del calentador.
6. Use calentador solamente en acuerdo de acuerdo con las ordenanzas locales y códigos.
7. Mantenga área de calentador limpie y sin materias combustibles, gasolina, desolvente de pinta, y otros vapores y líquidos flammables.
8. Nunca use calentador en áreas de viviendo o dormiendo.
9. Nunca quede calentador tapado sin supervisión de adulto si niños o animales están o hay una posibilidad que ellos estén. No mantenga su calentador desatendido.
10. Nunca mueva, toque, o dé servicio a un calentador caliente o un que está operando. Quemaduras serias pueden resultar. Tiene que esperar 15 minutos después de apagado del calentador.
11. Nunca sujete trabajo de conductor al frente o al trasero de calentador.





INSTRUCCIONES IMPORTANTES DE SEGURIDAD

12. Los calentadores utilizados cerca de toldos, lonas o materiales similares de protección deben situarse a una distancia segura de dichos materiales. La distancia mínima recomendada para su seguridad es de 3,05 m (10 pies). También se recomienda que dichos materiales de protección tengan propiedades retardadoras de fuego. Estos materiales de protección deben estar seguramente sujetos para prevenir que se enciendan o que afecten el funcionamiento del calentador debido a la acción del viento.
13. Desconecte el calentador cuando no esté en uso.
14. Nunca bloquee la entrada de aire (posterior) o la salida de aire (anterior) del calentador.
15. Este producto obtiene la aprobación para uso del Commonwealth de Massachusetts.
16. Use solamente con la manguera y regulador preprogramado de fábrica que provee con el calentador.
17. Use solamente gasolina Propano / L.P. para retirada de vapor.
18. Para uso adentro sólo. No use el calentador en aire libre.
19. No use el calentador en el sótano o debajo del nivel de tierra. Gasolina de Propano / L.P. es más pesada de aire. Si un agujero ocurre, gasolina de Propano / L.P. bajará al nivel más abajo que es posible.
20. Mantenga calentador más de seis pies afuera de tanque(s) de Propano / L.P. No ponga el calentador en dirección de tanque(s) de Propano / L.P. dentro de 20 pies.
21. Mantenga tanque(s) de Propano / L.P. debajo de 100* F (37.8* C).
22. Revise calentador para daño antes de cada uso. No use un calentador que tiene daño.
23. Revise manguera antes de cada uso de calentador. Si muy gastado o cortado, reemplace con manguera especificado por el fabricante antes de usar el calentador.
24. Mantenga el calentador afuera de los giros fuertes, el viento, el rocío del agua, la lluvia o agua goteado.
25. Para prevenir la herida, lleve guantes cuando manejando el calentador.
26. No cambie el calentador. Mantenga el calentador en estado original.
27. No use el calentador si es cambiado.
28. Apague suministro del propano a calentador cuando no está en un uso.
29. Sólo use las partes originales del reemplazo. Este calentador debe usar el diseño las partes específicas. No sustituya ni use las partes genéricas. Las partes impropias del reemplazo podrían causar las heridas graves o fatales.



GUARDE ESTAS INSTRUCCIONES



USE ROPA PROTECTORA

Use ropa medida cerca y equipo de seguridad apropiado al trabajo.

Use devise protector de oído como orejeras o tapón para el oído para proteger en contra de ruidos inaceptables y altos.

Operando equipo de seguridad necesita toda atención de operador. No use auriculares de radio o música mientras operando máquina.

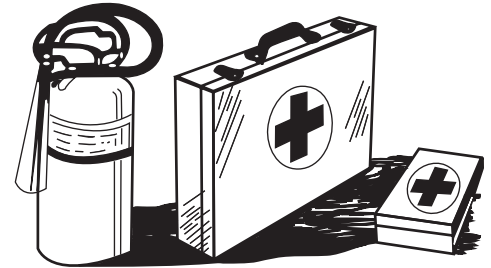


PREPARE PARA EMERGENCIAS

Mantenga primeros auxilios y extinguidor cerca.

Mantenga números de emergencia para doctores, servicio de ambulancia, hospital, y departamento de fuego cerca de telefono.

Sea preparado si un fuego empiece.



INSPECCIONES CALENTADOR

Asegúrese que todas tapas, guardias, y escudos son ajustados y en posición.

Encuentre todos controles operando y etiquetas de seguridad. Inspeccione cordón eléctrico para daño antes de usando. Hay un riesgo de electrocución de aplastante, cortando, o daño de calor.

Quite todos los artículos del embalaje aplicados del calentador para el envío. Quite todos los artículos del cartón. Compruebe los artículos para saber si hay cualquier daño del envío. Si se daña el calentador, informe puntualmente al distribuidor donde usted compró el calentador.

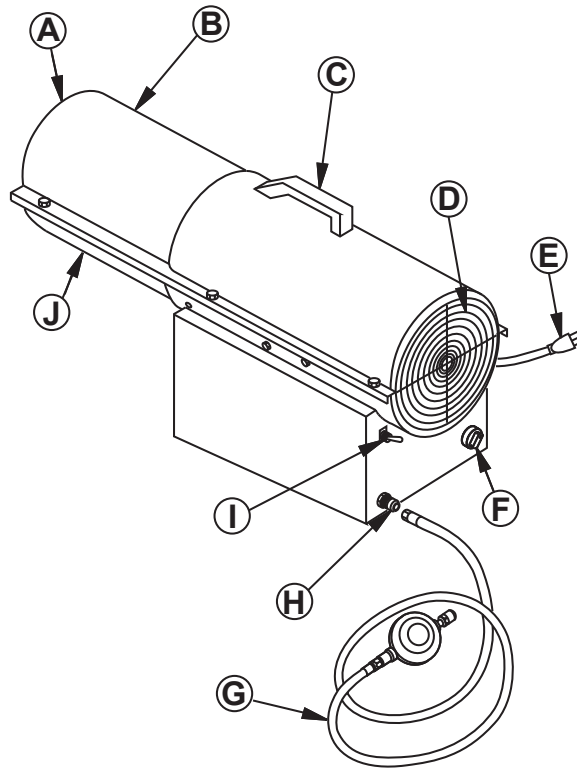
SERVICIO CON CIUDADO CALENTADOR

Antes de servicio del calentador, apague el calentador y permite enfriarse de la unidad.

Preste servicio en un área limpie, seca y planca.

Mandos

MANDOS
AC-155LP



A -- Salida de Aire Caliente (Frente)
B -- Cáscara Arriba
C -- Manivela

D -- Guardía de Ventilador
E -- Córdon de corriente
F -- Perilla Del Termóstato

G -- Asamblea de Manguera / Regulador
H -- Conectador de Entrada
I -- Interruptor ON/OFF
J -- Cáscara Abajo

Preparando

VENTILACIÓN

ADVERTENCIA : SIGA LOS REQUISITOS MINIMOS DE AIRE FRESCO Y FUERA DE VENTILACION. SI APROPIADO AIRE FRESCO Y FUERA DE LA VENTILACION NO ES PROPORCIONADO, EL ENVENAMIENTO DE MONOXIDO DE CARBONO PUEDE OCURRIR. PROVECE VENTILACION DE AIRE APROPIADO DE FRESCO Y FUERA ANTES DE OPERAR EL CALENTADOR.

Provece una abierta de aire fresco de un mínimo de tres pies cuadrados para cada 100,000 Btu/Hr valador. Provece más aire fresco si más calentadores están usado.

SUMINISTRO DE PROPANO

Gasolina de Propano / L.P. y tanque(s) de Propano / L.P. tiene que obtener de usador.

Use este calentador solamente con sistema de un retirada de vapor propano. Vea Capítulo 5 de Almacenamiento y Manejo Estandard de Gases Licuados del Petrleo, ANSI / NFPA 58 y Código de Instalación de Propano CAN/CGA B 149.2. Su biblioteca o departamento de Fuego local tendrá este folleto.

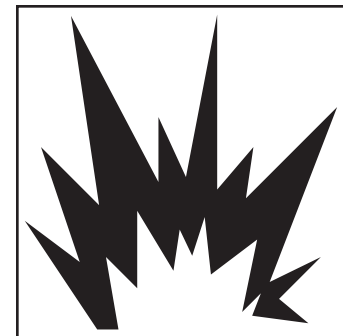
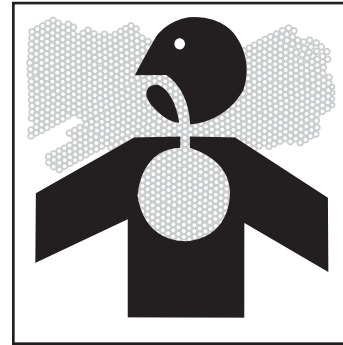
La cantidad de gasolina Propano / L.P. que está lista para uso de tanques de Propano / L.P. varia. Dos factores que decide esta cantidad:

1. La cantidad de gasolina de Propano / L.P. en tanque(s).
2. La temperatura de tanque(s).

La tabla abajo muestra el número de tanques de 100 libras (45 kg) que son necesarios para operar este calentador. Tanques más pequeños pueden usar por tiempos limitados pero es recomiende para usar más grande tanques para función óptimo.

| Temperatura a Tanque | # de tanques de 100 Libras |
|---------------------------------|----------------------------|
| 32°F (0°C) a 20°F (-6.7°C) | 2 |
| 20°F (-6.7°C) a -10°F (-23.3°C) | 3 |
| Debajo -10°F (-23.3°C) | (Use tanque más grande) |

Menos gasolina es vaporado en temperaturas bajas. Puede necesitar dos o más tanques de 100 libras (45kg) o un tanque más grande en tiempo frío. Su comerciante local del gas del Propano/ L.P. lo ayudará a escoger el sistema apropiado del suministro. El mínimo de calificación de aire circundante de la temperatura para cada calentador es -20 F (29 C).



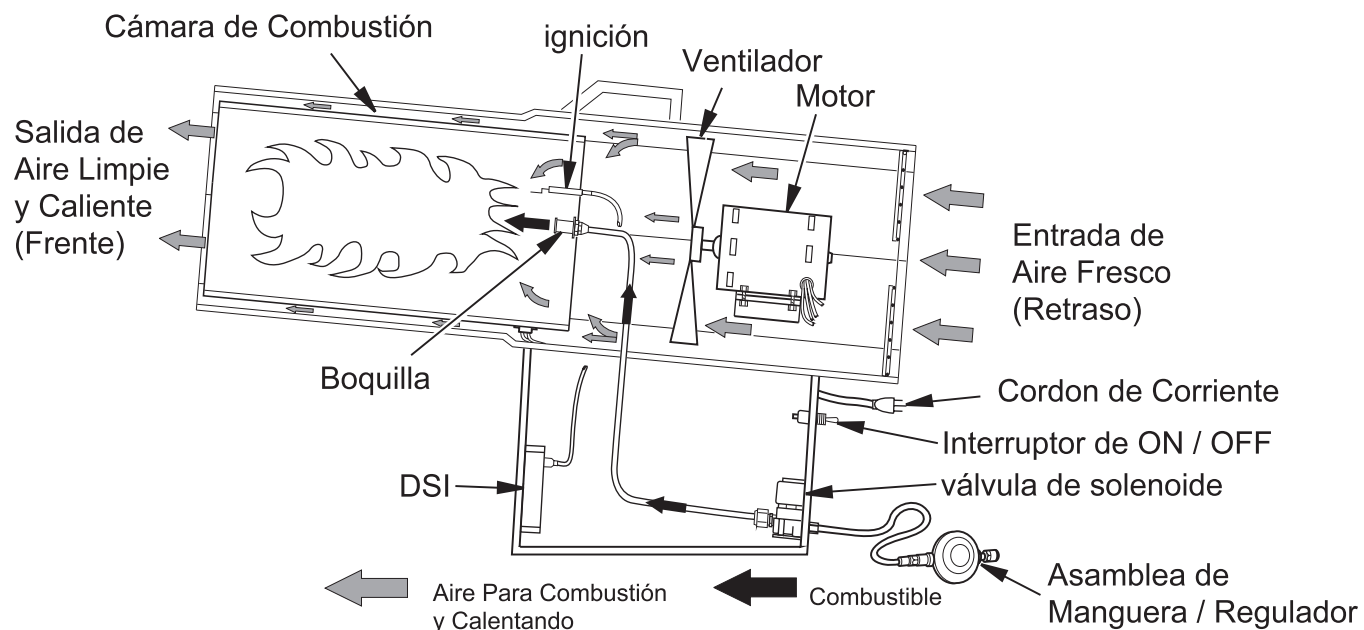
LA TEORIA DE LA OPERACIÓN

El Sistema de Combustible: La asamblea de manguera / regulador sujeta al suministro de combustible de Propano / L.P. El combustible de Propano / L.P. mueve por la válvula de solenoide y se va a la boquilla.

El Sistema de Aire: El motor dobla la ventilador. La ventilador empuja aire entre y alrededor de cámara de combustión. El aire se calenta y provece un corriente de aire limpio y caliente.

El Sistema de Ignición: Ignición de Chispa Directa (DSI) manda voltaje al chispero / ignición. El chispero / ignición ignita el combustible y mezcla de aire.

El Sistema de Seguridad de Control: El sistema tiene que apagar de calentador si el fuego apague o termine.



Instalación

INSTALACIÓN

IMPORTANTE: Lea y comprenda las advertencias en la sección de Información de Seguridad. Ellos son necesarios para operar con seguridad este calentador. Siga todas ordenanzas locales y códigos cuando se usa este calentador.



ADVERTENCIA: EXAMINE TODA TUBERÍA DE GAS Y CONEXIONES PARA ESCAPES DESPUÉS DE INSTALAR O SERVICIO. NUNCA UTILICE UNA LLAMA ABIERTA PARA VERIFICAR PARA UN ESCAPE. APLIQUE UNA MEZCLA DEL JABÓN Y EL AGUA LIQUIDOS A TODAS COYUNTURAS. FORMACIÓN DE BURBUJEAS MUESTRA UN ESCAPE. CORRIJA TODO SE SALE INMEDIATAMENTE.

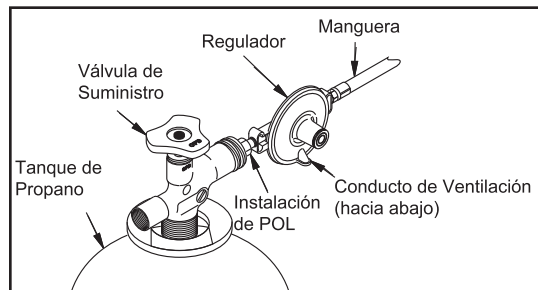
1. Provee un sistema de suministro de propano. (vea Suministro de Propano).
2. Conecte instalación de conectador de combustible en asamblea de manguera / regulador a tanque(s) de Propano / L.P. (Fig. 1) Doble instalación de POL en sentido contrario a las agujas del reloj entre hilos en la válvula de tanque. Aprete con fuerza usando tirón.
3. Conecte manguera a conectador de entrada. Aprete con fuerza usando un tirón. (Fig. 2)

IMPORTANTE: Puede usar extra manguera o tubería si es necesario. Instale manguera o tubería extra entre asamblea de manguera / regulador y tanque de Propano / L.P. Tiene que usar regulador que viene con calentador.

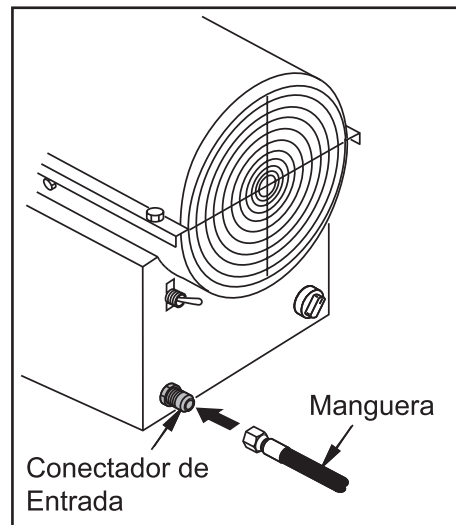
4. Abra válvula de suministro de propano en tanque(s) de Propano / L.P. muy despacio.

Nota: Si no abre muy despacio, la válvula que revisa el flujo-excesivo en tanque de Propano / L.P. parará el flujo de gas. Si este ocurre, cierre válvula de suministro de propano y abre una otra vez despacio.

5. Revise todas conexiones para fugas.
6. Cierre válvula de suministro de propano.



(Fig. 1)



(Fig. 2)

Operación

FUNCIONAMIENTO



ADVERTENCIA: SIGA EL MINIMO REQUISITOS DE AIRE FRESCO Y FUERA DE VENTILACION. SI AIRE APROPIADO FRESCO Y FUERA DE LA VENTILACION NO ES PROPORCIONADO, EL MONOXIDO DE CARBONO POISONING PUEDE OCURRIR. PROVECE AIRE APROPIADO FRESCO Y FUERA DE LA VENTILACION ANTES DE OPERAR EL CALENTADOR.

ARRANQUE EL CALENTADOR:

1. Siga toda información de seguridad y ventilación.
2. Ponga calentador en un área que provee la máxima de circulación de aire caliente. Siga todos requisitos de locación que están en Información de Seguridad.
3. Encuentre calentador en superficie nivel y estable. Asegúrese que no vientos fuertes muevan entre el frente o trasero de calentador.

Operación

FUNCIONAMIENTO

4. Tape cárdon de corriente de calentador entre cárdon extensión de tierra con tres puntas. Cárdon de extensión tiene que ser de un mínimo de 6 pies (1.83m) largo, UL/CSA lista y de un tamaño correcto. Vea Tabla de Cárdon de Extensión.
5. Tape cárdon de extensión entre una salida de tierra de 120 voltaje/60 hertz, 3-agujeros.
6. Abre válvula de suministro de propano en tanque(s) de Propano muy despacio.

Nota: Si no abre muy despacio, la válvula que revisa el flujo excesivo en tanque de Propano / L.P. parará el flujo de gas. Es posible que escuchará un clic de cierra de válvula que revisa el flujo excesivo. Si este ocurre, reprogramar válvula que revisa el flujo excesivo como cerrando válvula de suministro de Propano / L.P. y abre una otra vez despacio.

7. Doble perilla de control de termostato todo en sentido contrario a las agujas del reloj a posición más fría. Doble interruptor de ON/OFF a posición de ON. Doble perilla de control de termostato despacio al sentido contrario a las agujas del reloj hasta motor y ventilador eléctrico empiezen operar. Calentador empezará en aproximadamente 3 segundas. Ajuste perilla de control de termostato a posición más caliente o fría como necesario.

Nota: Si calentador no empiece después de 3 segundas, el control de ignición tratará empezar automático un tiempo más. Si el calentador falla a empezar este tiempo, el control de seguridad "cerrará afuera" y nada más empezados automáticos tratarán. Este puede ocurrir si hay aire se queda en línea del combustible. Si calentador falla a empezar en este tiempo, doble interruptor de ON/OFF a posición de OFF. Espere por diez segundas para control de seguridad a volver y doble interruptor de ON/OFF a posición de ON una otra vez y trate empezar.

8. **Sólo Operación de Termostato:** Durante operación normal de termostato, el calentador moverá a posición de OFF cuando temperatura de aire levanta a posición de termostato. Cuando temperatura de aire baja suficientemente abajo de posición de termostato, el motor y ventilador eléctrico empezará operar. Después de 15 a 60 segundas, quemador de calentador debe ignitar automáticamente y provece calor a mantenga posición de temperatura.

PARE EL CALENTADOR:

1. Cierre apretado la válvula de suministro de propano en tanque(s) de Propano / L.P.
2. Espere unas segundas. Calentador quemará restos de gasolina en mangueras de suministro.
3. Doble interruptor de ON/OFF a posición de OFF.
4. Desconecte el calentador.

| Requisito de Tamaño de Cárdon de Extensión | |
|--|------------------|
| la longitud de cárdon: | cárdon valorada: |
| Hasta 50 pies (15 m) | 18 AWG |
| 51 a 100 pie (15.5 a 30.48m) | 16 AWG |
| 101 a 200 pie (30.78 a 60.96m) | 14 AWG |

Localización de Fallas



ADVERTENCIA: NUNCA REALICE REPARACIONES AL CALENTADOR MIENTRAS ESTÉ CONECTADO, EN FUNCIONAMIENTO O CALIENTE. PUEDEN OCURRIR QUEMADURAS GRAVES Y CHOQUES ELÉCTRICOS.

| Condición de falla | Causa Posible | Remedio |
|---|---|---|
| Ventilador no empiece cuando calentador está tapado. | Nada corriente eléctrica a calentador. | Revise voltaje a salida eléctrica. Si voltaje es bueno, revise cordón de corriente de calentador para rompíos. |
| | Ventilador tocando adentro de cáscara de calentador. | Ajuste soporte de motor / ventilador para quitar el ventilador tocando el dentro de cáscara de calentador. |
| | Palas de ventilador están torcidos. | Reemplace el ventilador. |
| | Motor defectivo | Reemplace el motor. |
| Heater no ignitará. | Usador no siga instrucciones de instalación de operación correcto. | Repita instrucciones de instalación y operación. |
| | No chispa a ignición. Para examinar para chispa, vea "Servicio: Ignición" y siga paso 8. Si vea chispa a ignición, tiene servicio de calentador por un persona cualificado de servicio. Si no vea chispa: | |
| | a. Afloje o desconecte alambre de ignición | a. Revise alambre de ignición. Aprete o resujete alambre suelto de ignición. Vea "Mantenimiento: Transformador de Chispa" para posición de alambre de ignición. |
| | b. área de chispa equivocada | b. Haga área entre electrodo de ignición y plato de fijado a .13"/.15" (3.3/3.8mm) |
| | c. electrodo de ignición malo | c. Reemplace electrodo de ignición. Vea "Mantenimiento: Ignición." |
| d. transformador de chispa malo | d. Reemplace transformador de chispa. Vea "Mantenimiento: Transformador de Chispa." | |



ADVERTENCIA: NUNCA REALICE REPARACIONES AL CALENTADOR MIENTRAS ESTÉ CONECTADO, EN FUNCIONAMIENTO O CALIENTE. PUEDEN OCURRIR QUEMADURAS GRAVES Y CHOQUES ELÉCTRICOS.

| Condición de falla | Causa Posible | Remedio |
|---|---|--|
| Calentador apague mientras funcionando | Suministro de Propano / L.P. puede ser inadecuado. | a. Rellene el tanque. b. Provece más tanques y/o tanques más grande. Vea “ Preparación: Suministro de Propano”. |
| | Temperatura Alta de aire alrededor que causa el aparato de limito termal a apagar el calentador. | Este puede ocurrir cuando funcionando el calentador en temperaturas más altas de 85* F (30*C). Funcione calentador en temperaturas más frías. |
| | Flujo de aire es restringido. | Revise entrada y salida de calentador. Quite algunas obstrucciones. |
| | El ventilador tiene daño. | Reemplace el ventilador. Vea “Mantenimiento: Ventilador.” |
| | Polvo o escombo excesivo en área de alrededor. | Limpie el calentador. Vea “ Mantenimiento”. |
| ⚠ ADVERTENCIA: Use sólo en areas libre de contenido arriba de polvo. | | |
| Calentador está produciendo olor. | Agujero de Gasolina | Revise todas conexciones para agujeros. Aplique una mezcla de jabón liquido y agua a conjuntos de gasolina. Burbujas que están formando significa que hay un agujero que necesita correctar. |
| | Calentador funciona en un 20 lb. cilindro de Propano / L.P. Gasolina insuficient de Propano / L.P. suministrará de un cilindro de 20lb. que resultará en un olor. | Para obtener una mezcla correcta de gasolina y aire de Propano / L.P., use un tamaño de cilindro más grande, por ejemplo 100lb. Vea “ Preparación : Suministro de Propano”. |
| | Tanque de suministro de Propano / L.P. está “ parando porque está frío.” La tasa de la evaporación y el consumo del propano del tanque del suministro está demasiado grande para el tamaño del tanque y la temperatura de aire. | Use un tamaño más grande de cilindro de suministro, por ejemplo 100 lb. |

Servicio

MANTENIMIENTO:



ADVERTENCIA: PARA QUITAR EL RIESGO DE QUEMADURAS Y DESCARGA ELECTRICA, NUNCA TRATE A DAR SERVICIO A CALENTADOR MIENTRAS SE TAPADO, FUNCIONANDO, O CALIENTE.

MANTENGA EL CALENTADOR LIBRE DE O SIN DE MATERIAS COMBUSTIBLES, GASOLINA, Y OTROS VAPORES Y LIQUIDOS FLAMMABLES.

NO BLOQUEE EL FLUJO DE COMBUSTIÓN O AIRE DE VENTILACIÓN.

1. Mantenga calentador limpio. Limpie calentador anualmente o como necesario para quitar polvo y escombros. Si calentador está sucio o tiene escombros, limpie calentador con tela mojada. Use limpiadores de casa en mangas difíciles.
2. Inspecte calentador antes de cada uso. Revise conexiones para agujeros. Aplique mezcla de jabón, líquido y agua a conexiones. Si hay burbujas que están formando, hay un agujero. Corregite todos agujeros pronto.
3. Inspecte asamblea de manguera / regulador antes de cada uso. Si manguera está muy gastado, reemplace con manguera específica de fabricante.
4. Tiene que inspeccionar calentador cada año por una agencia calificada de servicio.
5. Mantenga adentro de calentador libre y sin de objetos extranjeros y combustibles. Quite motor y otros partes interior si es necesario para limpiar el adentro de calentador.
6. Limpie palas de ventilador cada estación o como es necesario.

MANTENIMIENTO (CONTINUACIÓN):

⚠ ADVERTENCIA: NUNCA REPARAR CALENTADOR MIENTRAS ESTÁ TAPADO, CONECTADO A SUMINISTRO DE PROPANO / L.P. , OPERANDO O CALIENTE. QUEMADURAS SERIAS Y GOLPE DE CORRIENTE PUEDE OCURRIR.

ELIMINACION DE CASCARA ARRIBA:

1. Quite tornillos que están en cada lado de calentador usando conductor de tuerca de 5/16". Estos tornillos sujetan arriba y abajo cáscaras en juntos. (Fig 3)
2. Levante o resbale cáscara arriba afuera.
3. Quite guardia de ventilador.

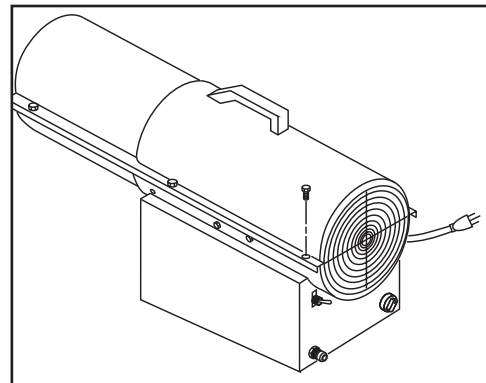
VENTILADOR:

IMPORTANTE: Quite ventilador de eje de motor antes de quitando motor de calentador. El peso del motor que están en el calentador puede dar daño a punto de ventilador.

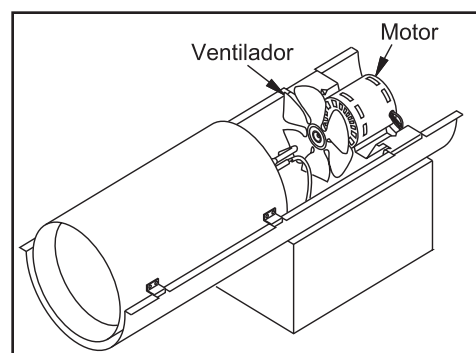
1. Quite cáscara arriba.
2. Use tirón de hex de 1/8" para soltar el tornillo de presión que mantenga ventilador a eje de motor.
3. Resbale ventilador afuera de eje de motor. (Fig 4 & 5)
4. Limpie ventilador usando una tela suave que está mojada con Kerosane o sovente.
5. Seque ventilaor en total.
6. Reemplace ventilador en eje de motor. Asegure que tornillo de presión está tocando el atraso de superficie plano en eje de motor. (Fig 6).
7. Ponga tornillo de presión en plano de eje. Aprete con firmeza tornillo de presión (40-50 pulgadas – libras)
8. Reemplace guardia de ventilador y cáscara arriba.

IGNICION:

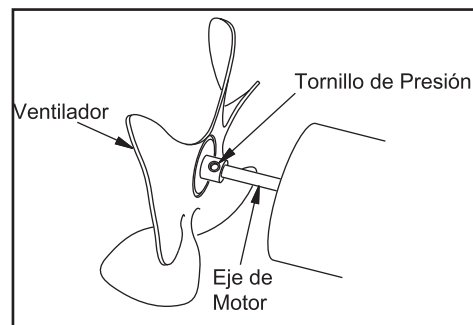
Asegúrese que área entre electrodo de ignición y boquilla de quemador es 0.13/0.15". Obtenga electrodo de ignición adentro de cámara de combustión. Nada otro mantenimiento es necesario para ignición.



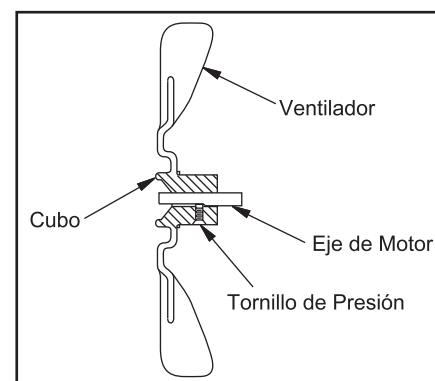
(Fig. 3)



(Fig. 4)



(Fig. 5)



(Fig. 6)

Almacenamiento



**PRECAUCION: DESCONECTE CALENTADOR
DE TANQUE(S) DE PROPANO / L.P.
SUMINISTRO.**

1. Mantenga tanque(s) de Propano / L.P. en manera con seguridad. Vea Capítulo 5 de Almacenamiento y Manejo Estandard de Gases Licuados del Petróleo, ANSI / NFPA 58 y Código de Instalación de Propano CAN/CGA B 149.2. Siga todos códigos locales. Siempre mantenga tanques de Propano / L.P. en aire libre.
2. Ponga tapa plástica de cubierta encima de instalaciones de latón en entrada de conector y asamblea de manguera / regulador.
3. Mantenga en lugar seco, limpie, y seguro. No mantenga asamblea de manguera y regulador adentro de cámara de combustión de caliente.
4. Cuando quitando calentador afuera de almacenamiento, siempre revise adentro de calentador. Insectos y animales pequeños pueden poner objetos extranjeros en calentador. Mantenga el adentro de calentador sin de objetos extranjeros y combustibles.

Especificaciones

| ARTÍCULO | ESPECIFICACIÓN |
|--|---|
| Tamaño de Modelo | AC-155LP |
| Clase de Salida (BTU / Hr) | 150,000 |
| Combustible | Sólo Vapor de Propano |
| Consumpción de Combustible (Gal Cada Hora/ Litros Cada Hora) (Libras Cada Hora / Kilogramos Cada Hora) | 1.6 / 6.1 7.0 / 3.2 |
| Suministro de Presión a Regulador Mínimo (para ajustado de entrada) Máxima | 10 PSI / 65.98 kPa Presión de Tanque |
| Presión de Salida de Regulador | Preprogramada de Fabrica @ 12.5" WC / 31.8 cm |
| Presión de Colector | 9.8" WC / 24.9 cm |
| Salida de Aire Caliente (aprox.) | 550 CFM / 15.6 metro cúbico / minuto |
| Motor RPM | 3450 |
| Motor HP | 1/8 |
| Entrada de Eléctrica | 120V / 60Hz |
| Amperios (Corriente Normal) | 2.2 |
| Ignición | Chispa Directa Electrónica, D.S.I. |
| Area de Ignición | 0.13 in / 0.15 in (3.3 mm / 3.8 mm) |
| Peso de Mandando (Libras / Kilogramos Aproximados) | 35 / 15.9 |
| Peso de Calentador (Libras / Kilogramos Aproximados) | 27 / 12.2 |

ANOTE NÚMERO SERIE

Escriba número de modelo, numero serie de máquina (vea etiqueta de número serie (A) en ilustración y fecha de compra en espacios abajo. Su concesario necesita esta información cuando ordenando partes.

Num. de modelo _____

Num. serie de máquina _____

Fecha de compra _____
(llene de comprador)

Diagrama de Alambre

Diagrama Eléctrico De la Escala

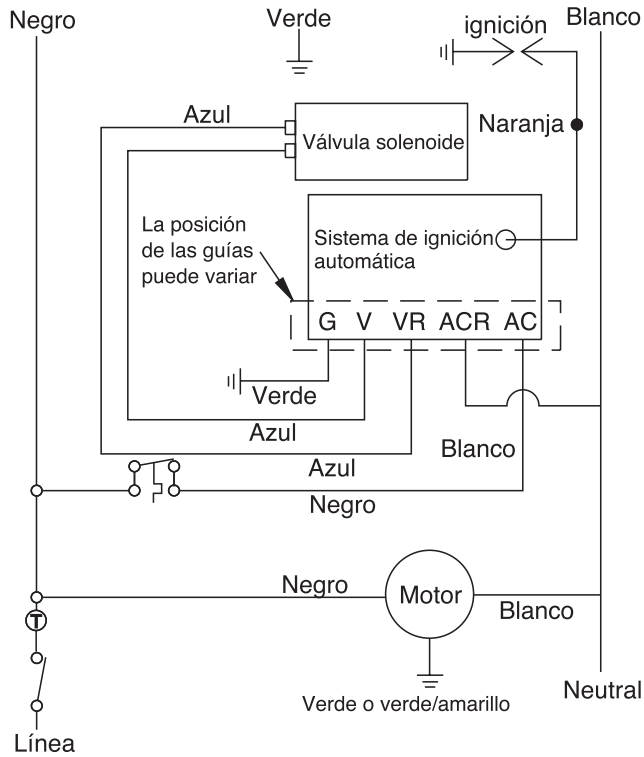
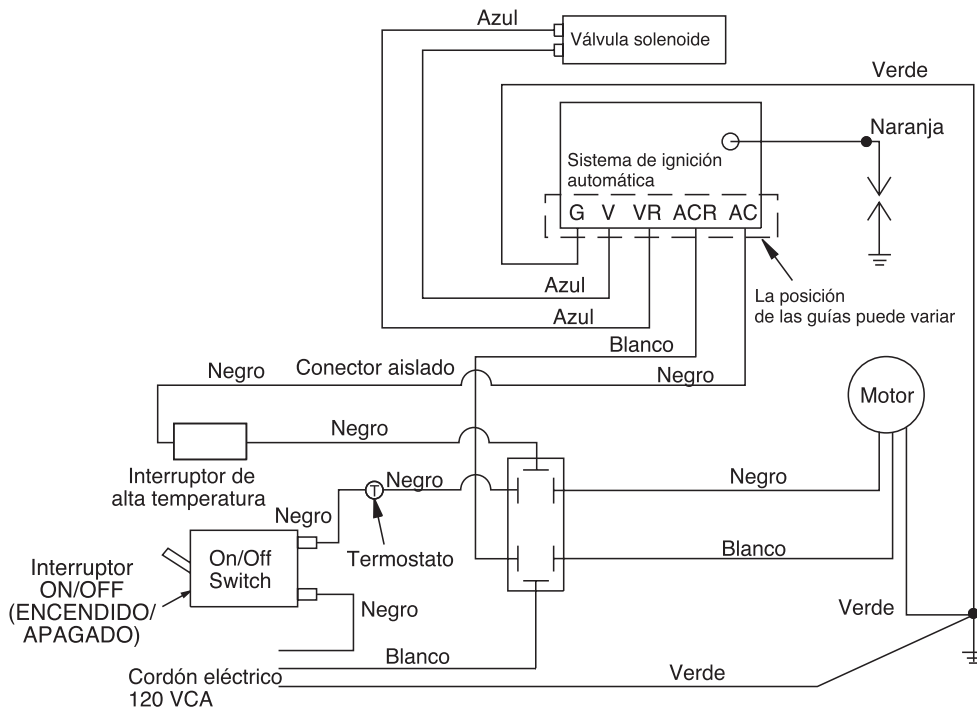


Diagrama De Conexión Eléctrico



DECLARACIÓN DE GARANTÍA

John Deere garantiza que todas las piezas (excepto aquellas a las que se hace referencia abajo), de su nueva calentador libres de defectos en materiales y mano de obra durante los periodos siguientes:

Por uno (1) año a partir de la fecha original de compra.

Las piezas defectuosas que no están sujetas a deterioro causado por el uso serán reparadas o reemplazadas a nuestra opción durante el periodo de garantía. En todo caso, el reembolso está limitado al precio de compra pagado.

EXCLUSIONES

1. Esta garantía no cubre las piezas que son dañadas debido al desgaste normal, aplicación incorrecta, uso erróneo, operación en otro que recomendado. La falta de seguir funcionar recomendado y los procedimientos de mantenimiento anular la garantía también.
2. El uso de otras piezas de reparación genuinas del fabricante anulará la garantía.
3. La garantía será vacío si está utilizada en cualquiera uso con excepción de consumidor/ dueño de casa. Las piezas vueltas, pagado por adelantado a nuestra fábrica o a un centro de servicio autorizado de John Deere serán examinadas y reemplacen gratuitamente si estan encontradas para ser defectuosas y conforme a garantía. No hay garantías que extienden más de la descripción de la cara de esto. Debajo de ningunas circunstancias el fabricante tendrá algo responsabilidad de perdida de uso de la unidad, la perdida de tiempo o de alquiler, la inconveniencia, la perdida comercial o los daños consecuentes.

PARA SERVICIO O CONSIDERACION DE LA GARANTIA CONSULTE CON:
Mi-T-M® Corporation/8650 Enterprise Drive, Box 50/Peosta, IA 52068-0050
Telefono: 1-877-JD-KLEEN / (1-877-535-5336) Fax: 563-556-1235
Lunes - Viernes 8:00 a.m. - 5:00 p.m. CST

